

# Vendo<sup>®</sup> Engineering Uni-2 Set Up Guide

Size: 11.5 oz.

Rev. B Date

02/28/01

Pkg. Description/Type: JUICE CANS

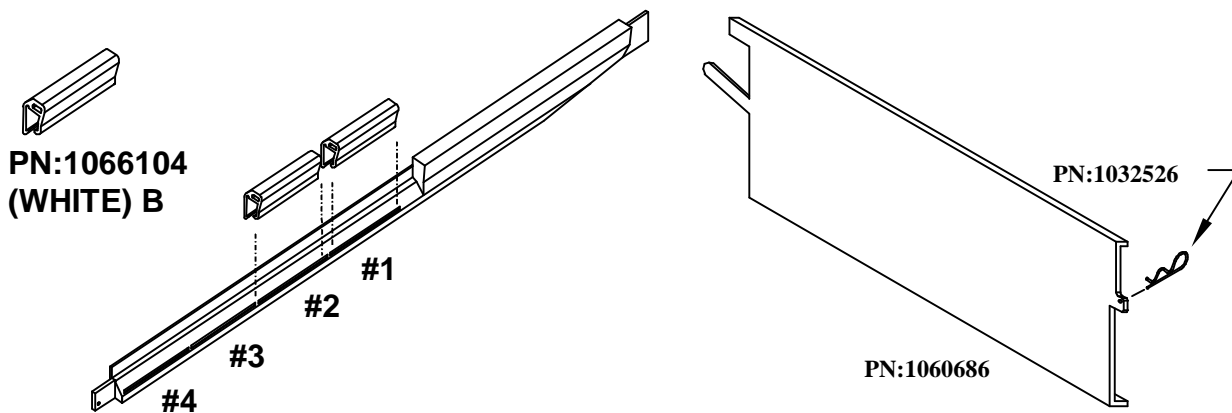
Franchise: WELCH'S

KIT#

## Column Setup

Cam Setting	Back Spacer	Neck Guide Locations	Gage Bar Clip Location	Gage Bar Location	Side Spacer	Sold Out Flap	Sold Out Spacer
3	8	N/A	B/#1 & B/#2	#2	1060686	1083449	1077457

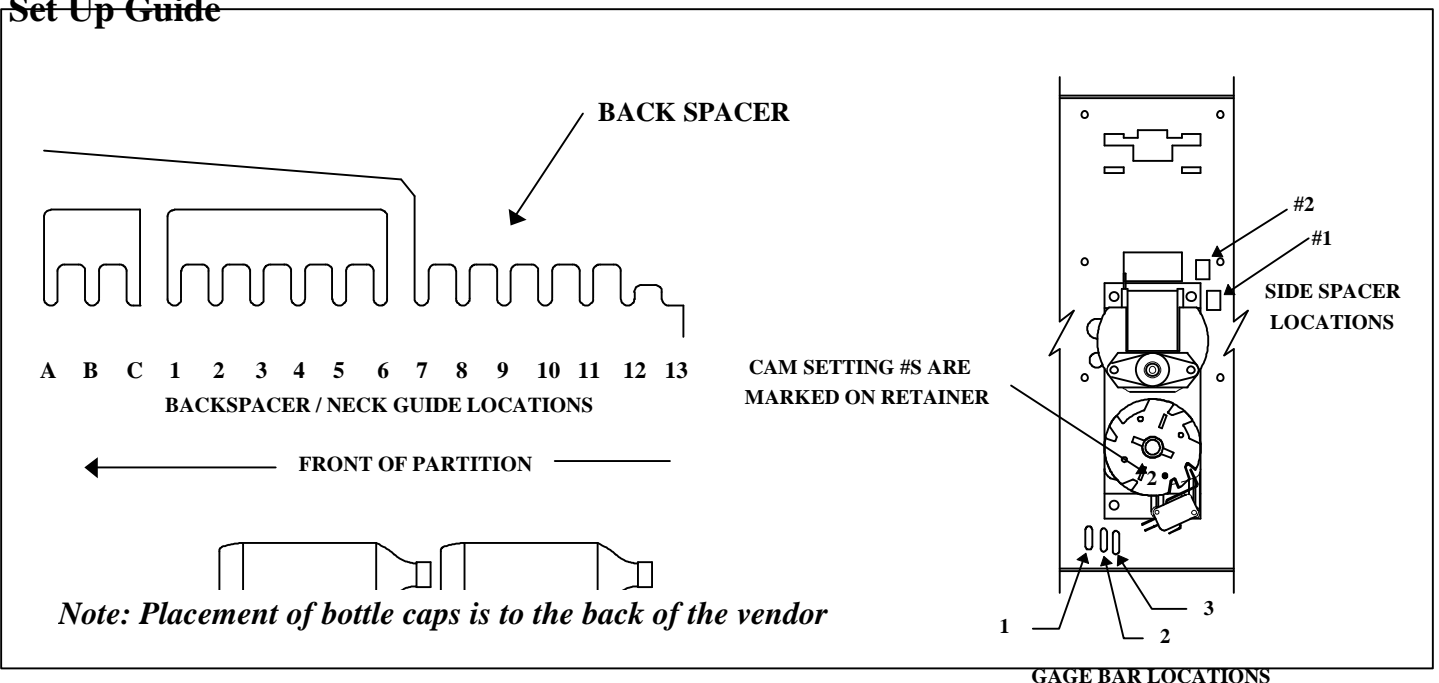
Note: To properly vend 11.5 Oz. Cans, the Univendor-2 must have the columns setup correctly.



## Gage Bar Clip Location

## Shim/Spacer

## Set Up Guide



FOR OTHER PRODUCT SET-UP GUIDES, CONTACT THE VENDO COMPANY

Installation Instruction #

*TEL: (559) 439-1770 FAX: (559) 439-2083.*

**Installation Instruction #**