

Vendo[®] Engineering 601 79" Uni-2 Set Up Guide

Size: 8.3 oz / 250ML 2.09 x 5.29 (53mm x 134mm)

Rev. A Date 05/09/01

Pkg. Description/Type: RED BULL

Franchise: RED BULL

KIT#1122508

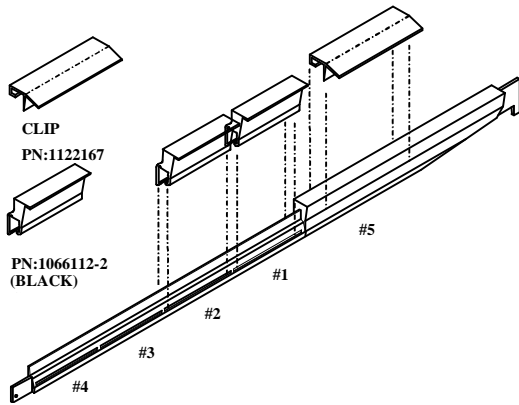
Column Setup

Cam Setting	Back Spacer	Neck Guide Location	Gage Bar Clip Location	Gage Bar Location	Magnetic Column Spacer (*)	Side Spacer	Sold Out Flap	Sold Out Spacer
3	10	N/A	See Detail	#3	1 pkg of 2 1114348-7	1122166-1 Loc. #2	Short 1083449	1077457

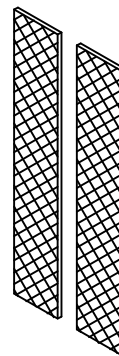
Note: To properly vend product the Uni-2 must have the columns set up as illustrated.

The 250ml product must be vended on the right side of mixed product. (Jam will occur if adjacent right gage bar is in slot #1)

*Install magnetic column spacers into right side of partition above product side spacer (See Figure 1 for installation detail)

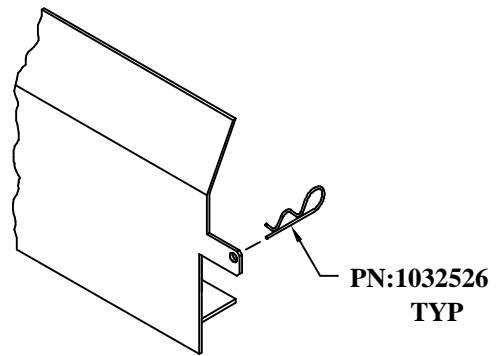


Gage Bar Clip Location



PN:1114348-7

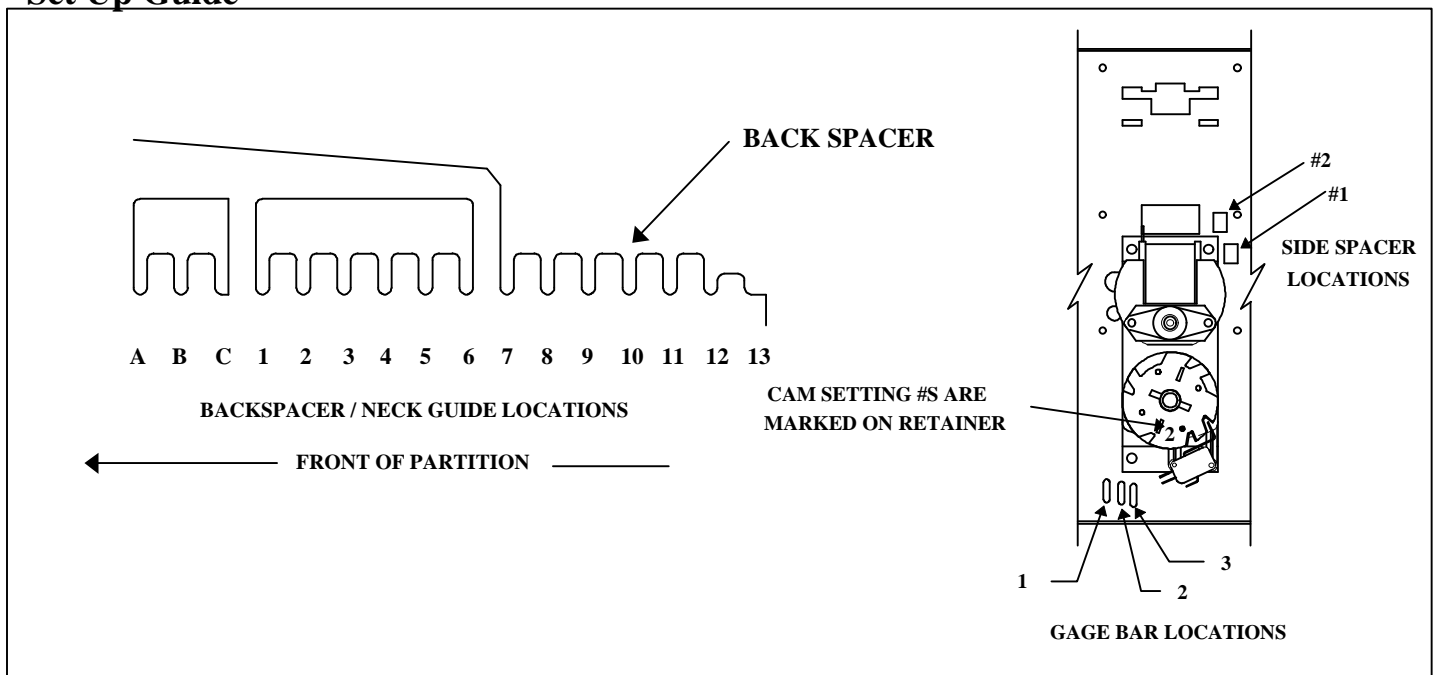
Column Spacers



PN:1122166-1

Spacer

Set Up Guide



FOR OTHER PRODUCT SET-UP GUIDES, CONTACT THE VENDO COMPANY.

TEL: (559) 439-1770 FAX: (559) 650-3455.

Installation Instruction #1122509

Caution: *Disconnect power cord from power source before beginning installation*

Installation (see Figure 1)

- Step #1** Locate Back Spacer into position #10.
- Step #2** Install .74 product side spacer (P/N1122166-1).
- Step #3** Install pkg. of two 38" long magnetic foam pads (P/N1114348-7) on the right side partition.
Locate pads as shown in Figure 1 above the .74 product side spacer (P/N1122166-1)

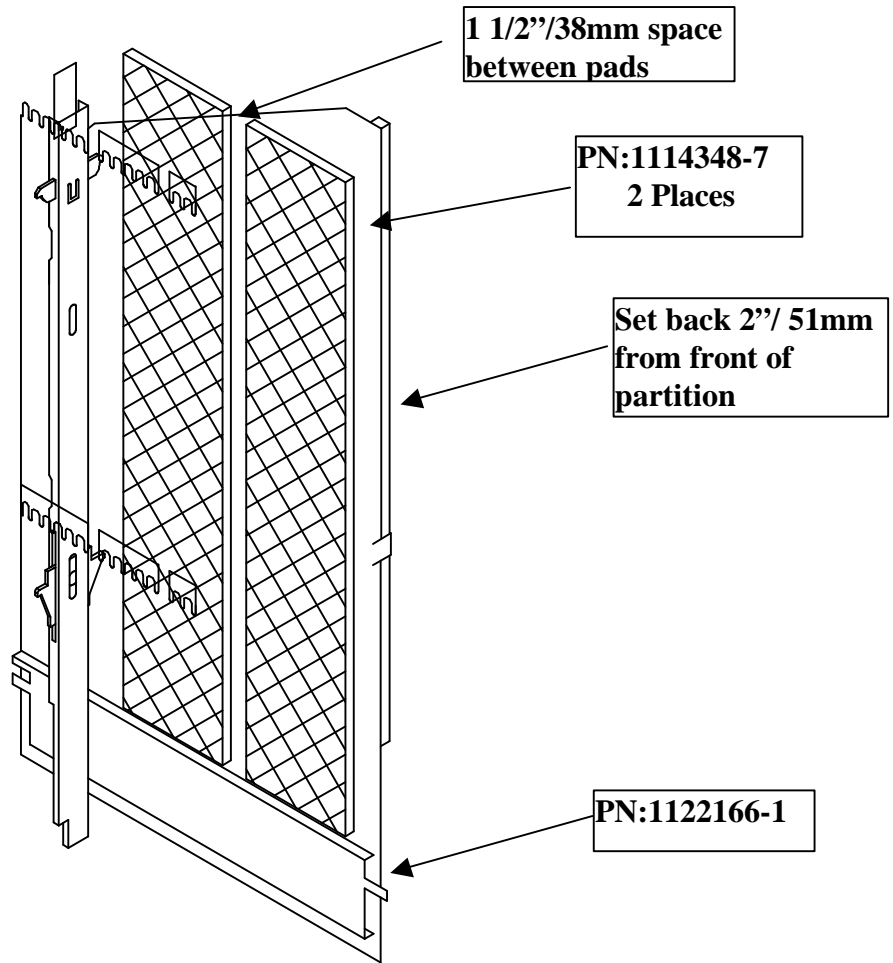


Figure 1

Right Side Partition