

DIXIE-NARCO, INC.

E-MODEL PARTS

(Includes 630L Parts)

Beginning Serial Number 0001-6368DU

803,903,060.01

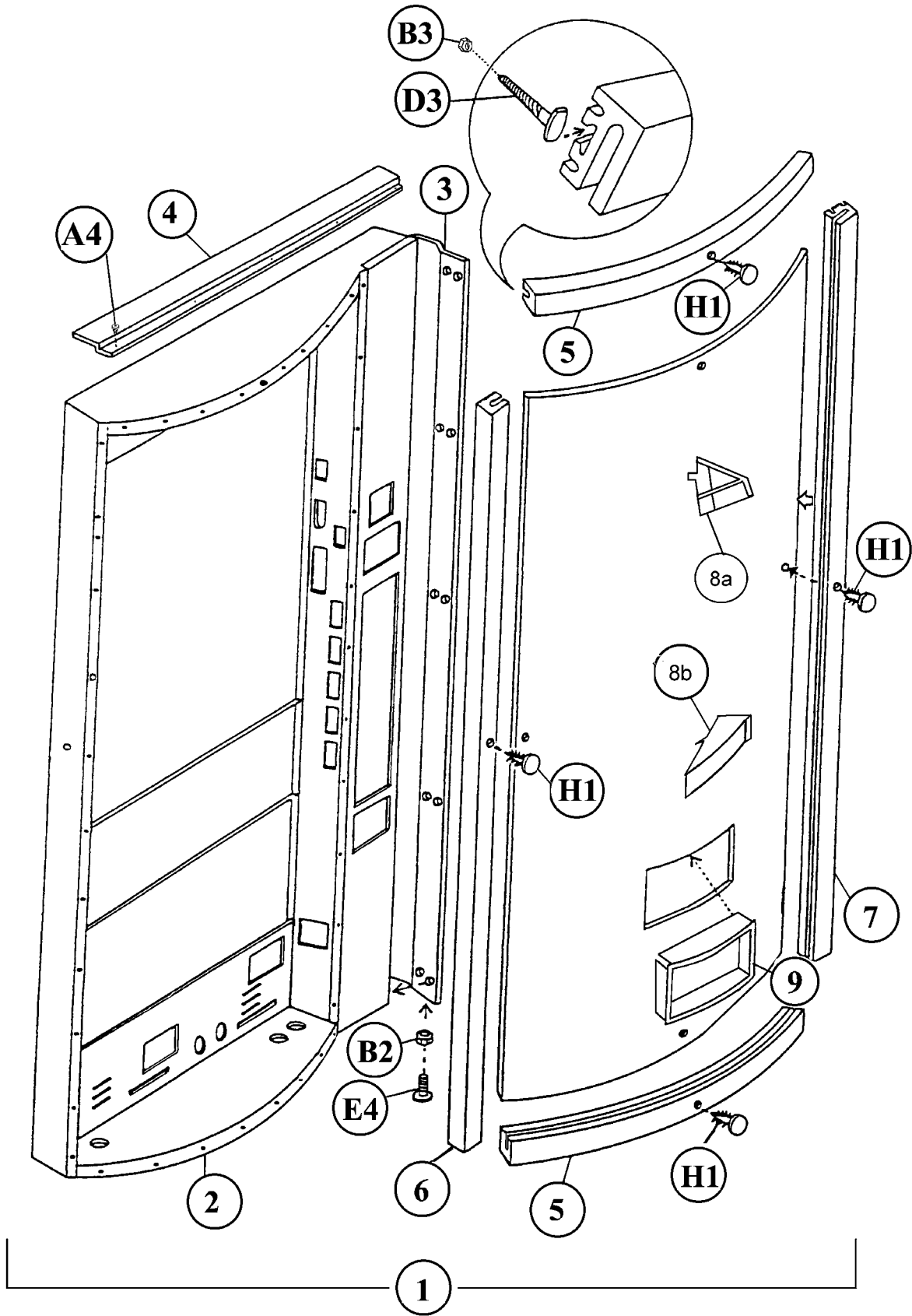
Revised 06/14/2000



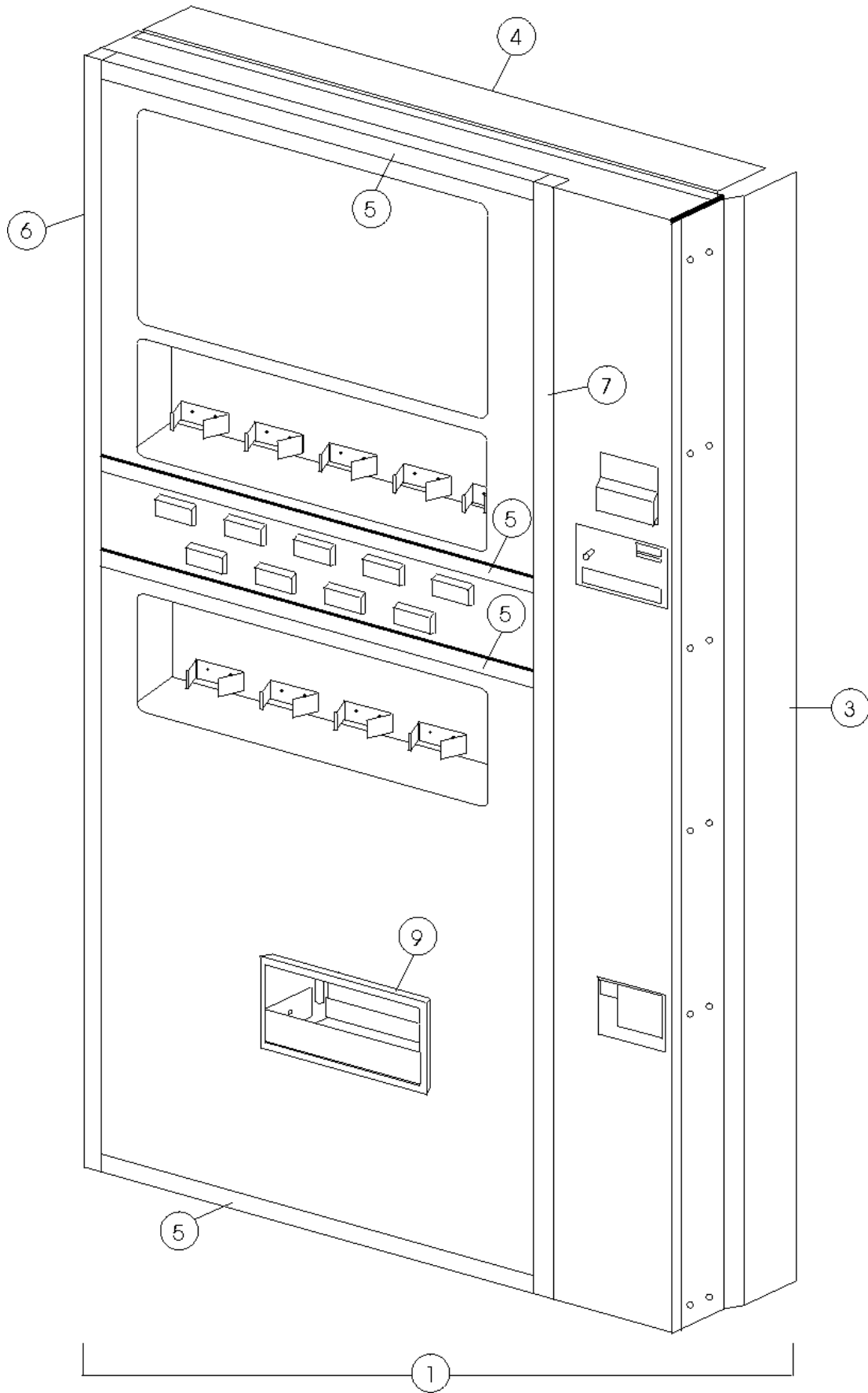
**Dixie-Narco, Inc.
Dixie-Narco Blvd.
P.O. Box 719
Williston, SC 29853
(803) 266-5000**

TABLE OF CONTENTS

MAIN DOOR EXTERIOR	3 - 7
MAIN DOOR INTERIOR	8 - 13
PULL OUT HANDLE & COIN INSERT.....	14 - 18
SELECT PANEL.....	19 - 26
LIGHTING.....	27 - 29
HARNESSING	30 & 31
INNER DOOR	32 - 34
TWO-BAR LINKAGE NUT RETAINER HOUSING.....	35 & 36
HINGES AND ROLLER ASSY.	35 & 37
CABINET INTERIOR	38 - 42
CABINET AND VEND MECHANISM.....	43 - 47
REFRIGERATION SYSTEM.....	48 - 51
DOMESTIC SIGNS & SIDE DECALS.....	52
SIID COMPONENTS / MISC. LABELS.....	53 - 55
SCREWS & NUTS	56 & 57
WASHERS, BOLTS, & MISC. HARDWARE	58 - 60



CIRCULAR



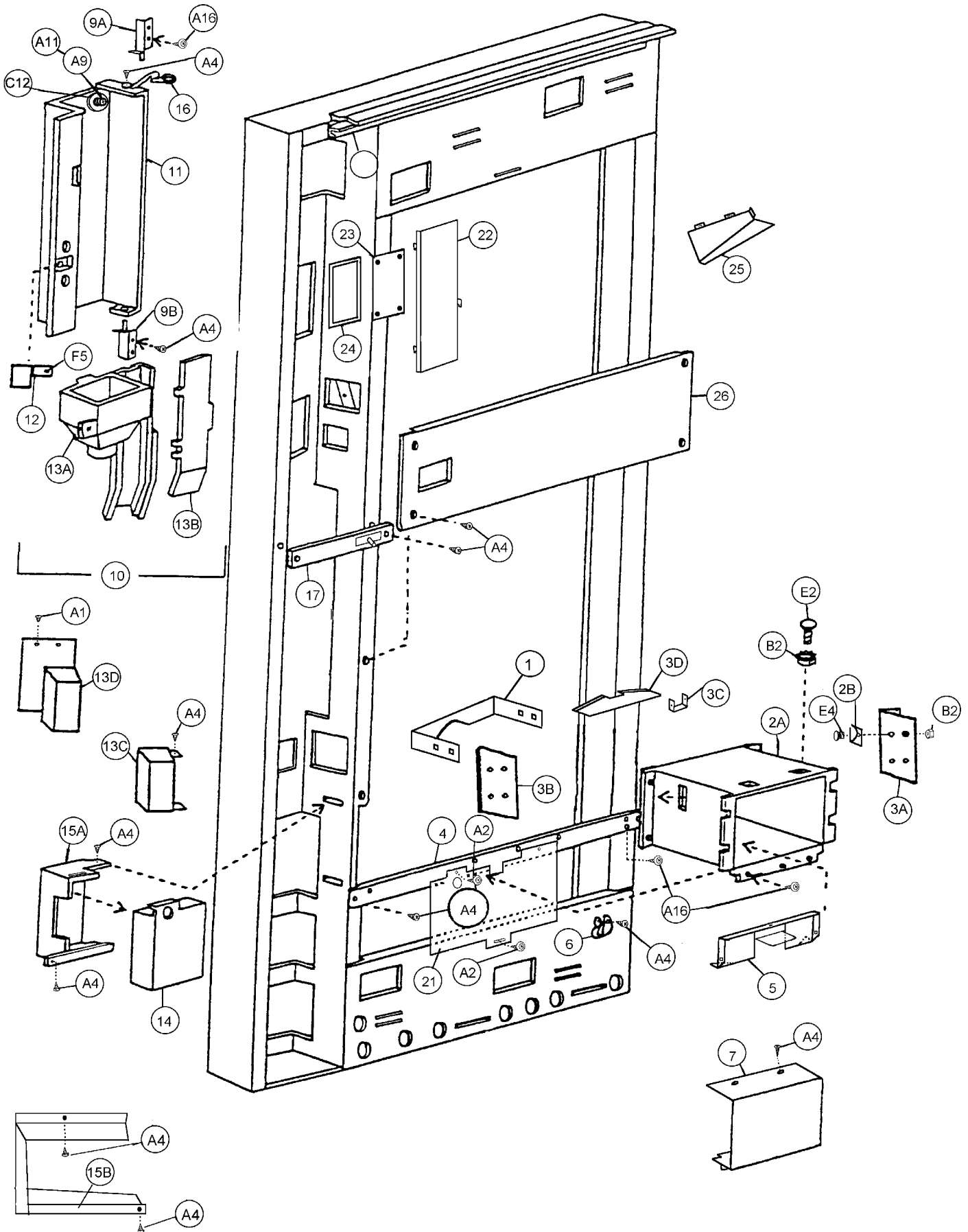
DUAL DISPLAY

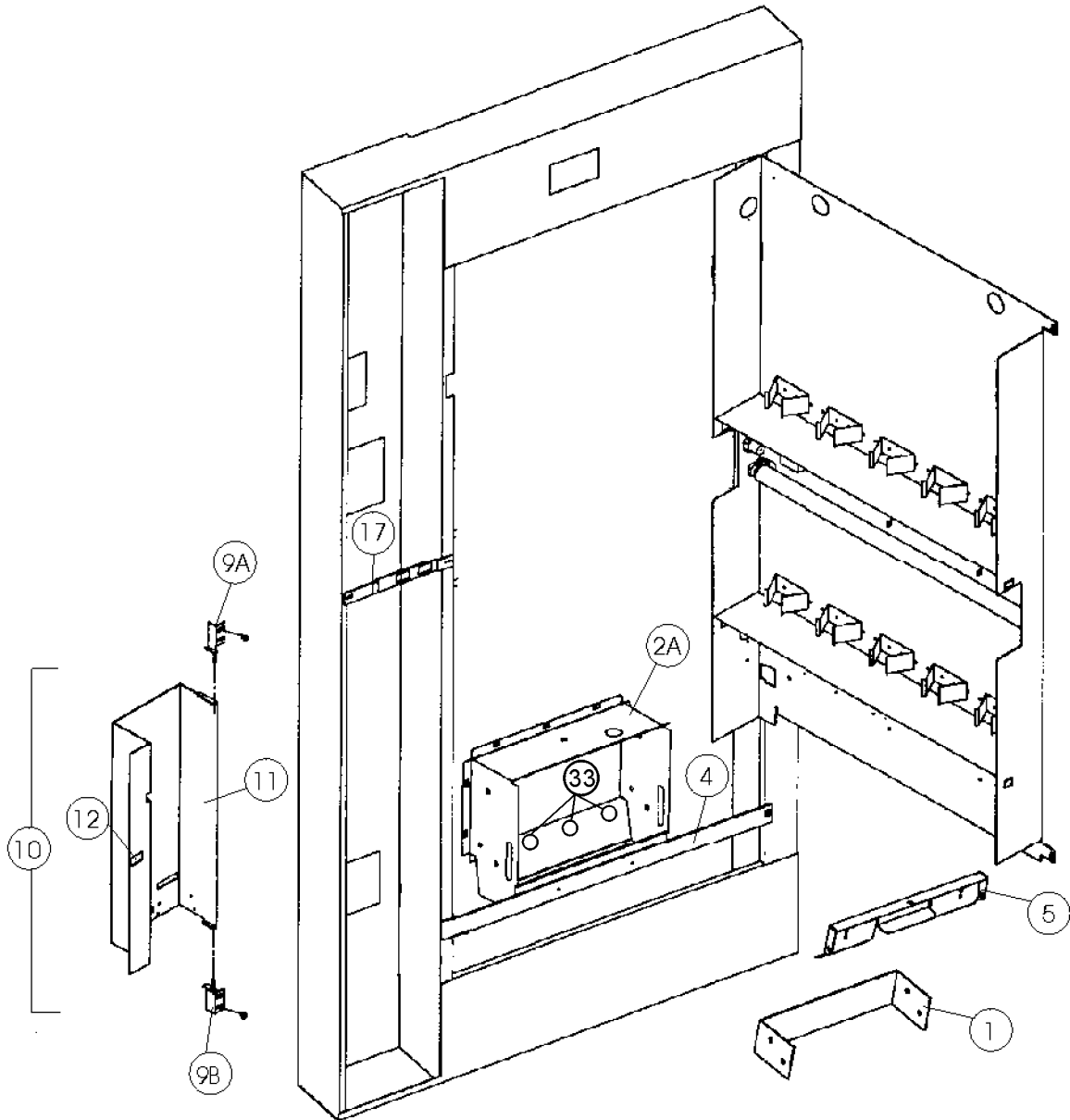
MAIN DOOR EXTERIOR

ITEM	DESCRIPTION	DNCB 600E 79" Wide	DNCB 501E 72" Wide	DNCB 276E 72" Narrow
1	Main Door Assy. (Specify Graphics & Harness)			
	Coke -7 Single Price 1 point lock	NA	NA	615,050,50x.x3
	Coke -7 SIID 1 point lock	NA	NA	615,050,60x.x3
	Coke -9 Single Price 1 point lock	610,051,40x.x3	609,052,70x.x3	NA
	Coke -9 SIID 1 point lock	610,050,50x.x3	609,081,00x.x3	NA
	Coke -9 SIID Steel Door 1 point lock	612,050,70x.x3	609,052,60x.x3	567,051,20x.x3
	Coke -9 SIID Spain 1 point lock	NA	609,052,80x.x3	NA
	Coke -9 SIID Australia 1 point lock	610,010,50x.x3	NA	NA
	Coke -9 SIID Australia Steel Door 1 point lock	612,050,20x.x3	NA	567,051,30x.x3
	Coke -9 Single Price Export 1 point lock	612,041,10x.x3	609,052,70x.x3	NA
	Coke -6 SIID Domestic 2L 630L	618,051,20x.x3	NA	NA
	Pepsi -7 Single Price 1 point lock	NA	NA	615,050,30x.x3
	Pepsi -7 SIID 1 point lock	NA	NA	615,050,40x.x3
	Pepsi -9 Single Price 1 point lock	610,051,20x.x3	609,053,30x.x3	NA
	Pepsi -9 SIID 1 point lock	610,011,10x.x3	609,081,10x.x3	NA
	Pepsi -9 SIID Danyl 1 point lock	610,010,70x.x3	609,080,60x.x3	NA
	Pepsi -9 SIID BA50 1 point lock	610,011,10x.x3	609,081,10x.x3	NA
	Pepsi -9 SIID Standard Chute 1 point lock	610,010,90x.x3	609,080,80x.x3	NA
	Pepsi -9 SIID Steel Sign 1 point lock	610,050,60x.x3	609,051,50x.x3	NA
	Pepsi -7 SIID Membrane 1 point lock s/n TBD	NA	NA	615,054,80x.x3
	Pepsi -9 SIID Membrane 1 point lock s/n TBD	610,052,80x.x3	609,055,70x.x3	NA
	Pepsi -9 SIID Danyl Membrane 1 point lock s/n TBD	610,052,90x.x3	609,055,80x.x3	NA
	Pepsi -9 SIID BA50 Membrane 1 point lock s/n TBD	610,053,10x.x3	609,055,90x.x3	NA
	Pepsi -9 SIID Standard Chute Membrane 1 point lock s/n TBD	610,053,20x.x3	609,056,10x.x3	NA
	Pepsi -9 SIID Steel Sign Membrane 1 point lock s/n TBD	610,053,30x.x3	609,056,20x.x3	NA
	RC "L" -9 Single Price 1 point lock	515,054,50x.x3	609,051,10x.x3	NA
	RC "L" -9 SIID 1 point lock	515,054,60x.x3	609,051,10x.x3	NA
	RC "L" -9 SIID BA50 1 point lock	610,052,10x.x3	609,054,70x.x3	NA
	RC "L" -9 SIID BA50 Membrane 1 point lock s/n TBD	610,052,40x.x3	609,055,20x.x3	NA
	Generic Round -9 SIID BA50 1 point lock	610,051,30x.x3	609,053,50x.x3	NA
	Generic Round -9 Single Price BA50 1 point lock	610,051,80x.x3	609,053,20x.x3	NA
	Generic Round -9 SIID BA50 Membrane 1 point lock s/n 2587 to 2686-6485, 0001-6471 and up	610,052,50x.x3	609,055,30x.x3	NA
	FLS -7 Single Price 1 point lock	NA	NA	615,050,70x.x3
	FLS -7 SIID 1 point lock	NA	NA	615,050,80x.x3
	FLS -9 Single Price 1 point lock	NA	609,050,40x.x3	NA
	FLS -9 SIID BA50 1 point lock	548,150,90x.x3	609,053,60x.x3	NA
	FLS -7 SIID Membrane 1 point lock s/n 0001-6471 and up	NA	NA	615,054,70x.x3
	FLS -9 SIID BA50 Membrane 1 point lock s/n 0001-6471 & up	610,052,70x.x3	609,055,60x.x3	NA
	Dr. Pepper V4-9 Single Price 1 point lock	604,058,60x.x3	604,059,40x.x3	NA
	Dr. Pepper V4 -9 SIID 1 point lock	604,059,30x.x3	604,058,40x.x3	NA
	Dr. Pepper V4 -9 Single Price 2 point lock	604,053,90x.x3	604,053,80x.x3	NA
	Dr. Pepper V4 -9 SIID 2 point lock	610,010,20x.x3	609,080,20x.x3	NA
	Dr. Pepper V4 -7 SIID 1 point lock	NA	NA	619,050,50x.x3

ITEM	DESCRIPTION	DNCB 600E 79" Wide	DNCB 501E 72" Wide	DNCB 276E 72" Narrow
1	Dual Display (2P3W) -7 SIID	NA	NA	616,050,00x.x3
	Dual Display (2P3W) -9 SIID BA50 Card Reader	NA	614,050,70x.x3	NA
	Dual Display (2P3W) -9 SIID	613,050,50x.x3	NA	NA
	Dual Display (2P3W) -9 SIID BA50	NA	614,050,60x.x3	NA
2	Main Door Weld Assy.			
	Coke 1 point lock	573,050,10x.x3	570,050,10x.x3	567,050,20x.x3
	Pepsi 1 point lock	593,050,50x.x3	592,050,80x.x3	592,050,10x.x3
	Pepsi Danyl 1 point lock	593,052,40x.x3	592,054,60x.x3	NA
	Generic Round 1 point lock	548,052,10x.x3	548,051,90x.x3	NA
	FLS 1 point lock	NA	548,051,60x.x3	548,051,40x.x3
	Dr. Pepper V4 1 point lock	604,057,20x.x3	604,057,10x.x3	619,050,30x.x3
	Dr. Pepper V4 2 point lock	604,052,30x.x3	604,052,50x.x3	NA
	Dual Display (2P3W) Card Reader	NA	614,050,80x.x3	NA
	Dual Display (2P3W)	613,050,10x.x3	548,056,90x.x3	616,050,10x.x3
3	Protective Plate Door			
	All Styles	164,150,33x.x3	165,150,33x.x3	165,150,33x.x3
4	Rain Guard			
	All Styles	164,151,14x.x3	164,151,14x.x3	169,050,34x.x3
5	Horizontal Trim (Top & Bottom)			
	Coke, RC "L"	801,809,67x.x1 (34 7/16")	801,809,67x.x1 (34 7/16")	801,809,65x.x1 (25 11/16")
	Pepsi	801,809,66x.x1 (29 1/8")	801,809,66x.x1 (29 1/8")	801,809,64x.x1 (19 5/8")
	Generic Round	801,809,65x.x1 (26 15/16")	801,809,65x.x1 (26 15/16")	801,809,64x.x1 (19 5/8")
	FLS, Dual Display	801,810,30x.x1 (25 3/4")	801,810,30x.x1 (25 3/4")	801,810,29x.x1 (17")
	Dr. Pepper V4	801,809,68x.x1 (34 3/4")	801,809,68x.x1 (34 3/4")	NA
6	Vertical Trim (Left Side)			
	Coke, RC "L"	801,809,68x.x1 (76 7/16")	801,809,67x.x1 (69")	801,809,67x.x1 (69")
	Pepsi	801,809,68x.x1 (76 7/16")	801,809,67x.x1 (69")	801,809,67x.x1 (69")
	Generic Round	801,809,68x.x1 (76 3/16")	801,809,67x.x1 (69")	801,809,67x.x1 (69")
	FLS, Dual Display	NA	801,810,29x.x1 (68 15/16")	801,810,29x.x1 (68 15/16")
	Dr. Pepper V4	801,809,68x.x1 (76 7/16")	801,809,67x.x1 (69")	NA
7	Vertical Trim (Right Side)			
	Coke, Angle Top and Bottom	801,810,17x.x1 (16 1/8")	801,810,17x.x1 (12 3/8")	801,810,17x.x1 (13 3/8")
	Coke Center	801,809,64x.x1 (42")	801,809,64x.x1 (42")	801,809,64x.x1 (42")
	Pepsi	801,809,68x.x1 (76 7/16")	801,809,67x.x1 (69")	801,809,67x.x1 (69")
	Generic Round	801,809,68x.x1 (76 3/16")	801,809,67x.x1 (69")	801,809,67x.x1 (69")
	RC "L"	801,809,68x.x1 (76 3/16")	801,809,67x.x1 (54 1/4")	NA
	Dr. Pepper V4	801,809,68x.x1 (76 7/16")	801,809,67x.x1 (69")	NA
	FLS, Dual Display	NA	801,810,29x.x1 (68 15/16")	801,810,29x.x1 (68 15/16")
8A	Top Enclosure			
	Coke Only	801,805,81x.x1	801,805,81x.x1	801,805,81x.x1
	RC "L" Only	801,805,81x.x1	801,805,81x.x1	NA
8B	Bottom Enclosure			
	Coke Only	801,805,82x.x1	801,805,82x.x1	801,805,82x.x1

ITEM	DESCRIPTION	DNCB 600E 79" Wide	DNCB 501E 72" Wide	DNCB 276E 72" Narrow
9	Delivery Port Trim / Spacer Large Port			
	Coke	801,810,04x.x1	801,810,04x.x1	801,810,11x.x1
	Pepsi	801,809,53x.x1	801,809,53x.x1	801,810,11x.x1
	Generic Round	801,809,53x.x1	801,809,53x.x1	NA
	Dr. Pepper V4 (6428BV & higher)	801,810,04x.x1	801,810,04x.x1	801,810,11x.x1
	Dr. Pepper V4 - Trim (prior to 6428BV)	801,602,91x.x1	801,602,91x.x1	NA
	Dr. Pepper V4 - Spacer (prior to 6428BV)	801,809,18x.x1	801,809,18x.x1	NA
	FLS	NA	801,602,94x.x1	801,602,94x.x1
	Dual Display	801,602,94x.x1	801,602,94x.x1	801,602,94x.x1
B2	Keps Nut 1/4-20		900,800,67x.x1	
B7	Elastic Stop Nut #8-32		900,800,51x.x1	
B3	Keps Nut #8-32		900,800,50x.x1	
D2	T-Bolt #8-32x1 3/8"		900,400,41x.x1	
D3	T-Bolt #8-32x3/4"		900,400,35x.x1	
D4	T-Bolt #8-32x1/2"		900,400,45x.x1	
E4	Carriage Bolt 1/4-20x1/2"		900,201,45x.x1	
F5	Pop Rivet, Steel (Zinc Plated) 1/8"		901,100,61x.x1	
H1	Christmas Tree Clip, #354280307-00		900,902,13x.x1	





DUAL DISPLAY

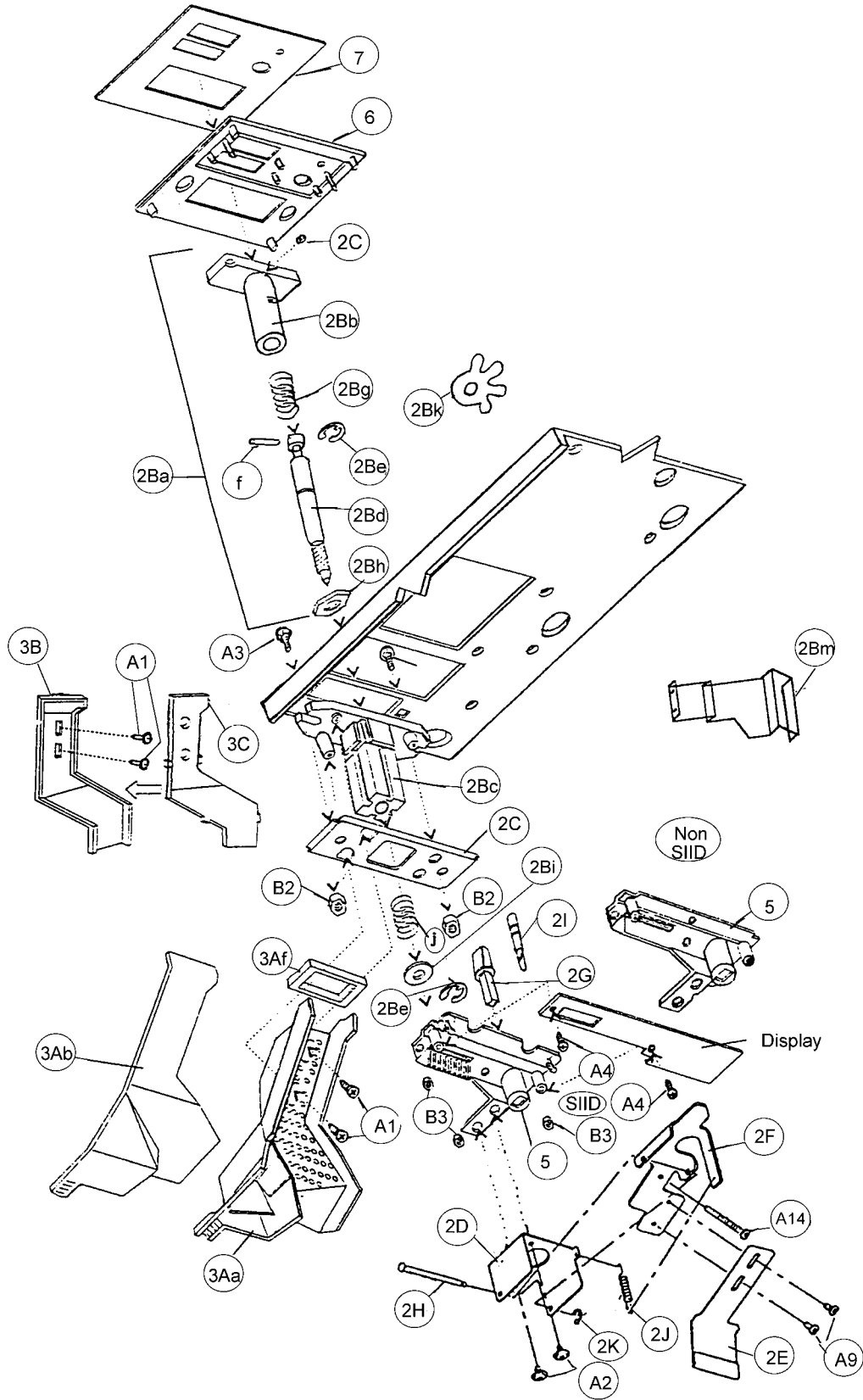
MAIN DOOR INTERIOR

ITEM	DESCRIPTION	DNCB 600E 79" Wide	DNCB 501E 72" Wide	DNCB 276E 72" Narrow
1	Discharge Member, Large Port			
	Coke, Pepsi, Generic Round, RC "L", Dr. Pepper V4	NA	NA	NA
	FLS, Dual Display	614,050,05x.x3	614,050,05x.x3	614,050,05x.x3
2A	Delivery Port, Large Port			
	Coke, Pepsi, Generic Round (metal)	594,052,90x.x3	594,052,90x.x3	615,050,90x.x3
	Coke, Pepsi, Generic Round, RC "L" (plastic)	801,810,02x.x1	801,810,02x.x1	NA
	FLS, Dual Display (W/A)	614,050,30x.x3	614,050,30x.x3	614,050,30x.x3
	Dr. Pepper V4 (prior to 6428) (W/A)	604,050,10x.x3	604,050,10x.x3	NA
	Dr. Pepper V4 (6428 & up)	801,810,03x.x1	801,810,03x.x1	619,050,70x.x3
	2 Liter Port Weld Assembly 630L	618,050,20x.x3	NA	NA
	2 Liter Port w/a 630L Domestic	618,030,20x.x3	NA	NA
2B	Discharge Door Stop (small port only)			
	All Styles	801,304,51x.x1	801,304,51x.x1	801,304,51x.x1
2C	Push On Port Gasket			
	FLS	801,810,46x.x1	801,810,46x.x1	801,810,46x.x1
	Coke, Pepsi, Generic Round, Dual Display, RC "L"	NA	NA	801,810,46x.x1
3A	Deliver Port Spacer, Left (large port only)			
	Coke, Pepsi, Generic Round, RC "L"	594,050,96x.x3	594,050,96x.x3	NA
	Dr. Pepper V4, FLS, Dual Display	NA	NA	NA
3B	Delivery Port Spacer, Right (large port only)			
	Coke, Pepsi, Generic Round, RC "L"	594,050,96x.x3	594,050,96x.x3	NA
	Dr. Pepper V4, FLS, Dual Display	NA	NA	NA
3C	Top Tablock Latch (large port only)			
	Coke, Pepsi, Generic Round, RC "L"	801,304,91x.x1	801,304,91x.x1	801,304,91x.x1
	Dr. Pepper V4, FLS, Dual Display	NA	NA	NA
3D	Delivery Port Top Support			
	Coke, Pepsi, Generic Round	replaced by 3C	replaced by 3C	replaced by 3C
3E	Delivery Port Bracket			
		594,071,25x.x3	594,071,25x.x3	594,071,25x.x3
4	Port Stiffener, Large Port			
	Coke, Pepsi, Generic Round, FLS, Dual Display, RC "L"	594,050,61x.x3	594,050,61x.x3	615,050,04x.x3
	Dr. Pepper V4	NA	NA	NA
	FLS Production Runs 6394 and 6397	614,050,03x.x3	614,050,03x.x3	NA
	FLS s/n 0001-6398 and higher	594,050,61x.x3	594,050,61x.x3	615,050,04x.x3
5	Closure Strip, Large Port			
	Coke, Pepsi, Generic Round w/ Metal Large Delivery Port	432,011,11x.x3	432,011,11x.x3	609,050,14x.x3
	Dr. Pepper V4 w/ Metal Large Delivery Port	604,050,34x.x3	604,050,34x.x3	619,050,21x.x3
	FLS, Dual Display	614,050,04x.x3	614,050,04x.x3	614,050,04x.x3
	Coke, Pepsi, Generic Round, Dr. Pepper V4 w/ Plastic Large Delivery Port	609,050,14x.x3	609,050,14x.x3	NA
	High Security - Coke, Pepsi, Generic Round, DP V4, with Plastic Large Delivery Port	614,050,09x.x3	614,050,09x.x3	614,050,09x.x3
6	1" Clamp, Heyco 3390			
	All Styles	901,901,89x.x1	901,901,89x.x1	901,901,89x.x1
7	Cover Wire Plug			
	Coke, Pepsi, Generic Round, FLS, Dual Display, RC "L"	432,050,78x.x3	432,050,78x.x3	432,050,66x.x3
	Dr. Pepper V4	NA	NA	NA
8	L" Profile Gasket			
	All Styles	903,600,53x.x1	903,600,53x.x1	903,600,54x.x1

ITEM	DESCRIPTION	DNCB 600E 79" Wide	DNCB 501E 72" Wide	DNCB 276E 72" Narrow
9A	Top Access Door Hinge, Weld Assy.			
	Coke, Pepsi, Generic Round, FLS, Dual Display, RC "L"	432,051,00x.x3	432,051,00x.x3	432,051,00x.x3
	Dr. Pepper V4	NA	NA	NA
9B	Bottom Access Door Hinge, Weld Assy.			
	Coke, Pepsi, Generic Round, FLS, Dual Display, RC "L"	432,051,10x.x3	432,051,10x.x3	432,051,10x.x3
	Dr. Pepper V4	NA	NA	NA
10	Access Door Assy.			
	Coke, Pepsi, Generic Round, FLS, Dual Display, RC "L"	491,052,00x.x3	491,052,00x.x3	491,052,00x.x3
	Dr. Pepper V4	NA	NA	NA
	Pepsi, Generic Round, FLS, Dual Display, RC "L" (s/n 1325 to 1406 and 2407 to 2524-6451, run 6457 & higher)	592,058,20x.x3	592,058,20x.x3	592,058,20x.x3
11	Access Door			
	Coke, Pepsi, Generic Round, FLS, Dual Display, RC "L"	432,150,09x.x3	432,150,09x.x3	432,150,09x.x3
	Dr. Pepper V4	NA	NA	NA
12	Latch			
	Coke, Pepsi, Generic Round, FLS, Dual Display, RC "L"	801,304,53x.x1	801,304,53x.x1	801,304,53x.x1
	Dr. Pepper V4	NA	NA	NA
13A-1	Hopper and Chute, Extended			
	Pepsi, Generic Round, FLS, Dual Display, RC "L" (s/n 1325 to 1406 and 2407 to 2524-6451, run 6451 and higher)	801,810,08x.x1	801,810,08x.x1	NA
13A-2	Hopper and Chute			
	Coke, Pepsi, Generic Round, FLS, Dual Display, RC "L"	801,806,58x.x1	801,806,58x.x1	801,806,58x.x1
	Dr. Pepper V4	801,809,45x.x1	801,809,45x.x1	801,809,45x.x1
13B-1	Chute Front, Extended			
	Pepsi, Generic Round, FLS, Dual Display, RC "L" (s/n 1325 to 1406 and 2407 to 2524-6451, run 6451 and higher)	801,810,09x.x1	801,810,09x.x1	NA
13B-2	Chute Front			
	Coke, Pepsi, Generic Round, FLS, Dual Display, RC "L"	801,806,59x.x1	801,806,59x.x1	801,806,59x.x1
13C-2	Weld Assy., Chute Extension			
	Pepsi, Generic Round, RC "L"	609,011,10x.x4	609,011,10x.x4	NA
	Dr. Pepper V4	604,050,30x.x3	604,050,30x.x3	NA
13D-2	Weld Assy., Hopper Extension			
	Pepsi, Generic Round, RC "L"	609,011,10x.x4	609,011,10x.x4	NA
	Dual Display	NA	NA	500,050,00x.x3
14	Cash Box			
	Pepsi, Generic Round, Coke, FLS, Dual Display, RC "L"	432,051,80x.x3	432,051,80x.x3	432,051,80x.x3
	Dr. Pepper V4	604,050,01x.x3	604,050,01x.x3	604,050,94x.x3
15A	Cash Box Shelf			
	Coke, Pepsi, Generic Round, FLS, Dual Display, RC "L"	432,050,18x.x3	432,050,18x.x3	432,050,18x.x3
15B	Cash Box Bracket			
	Dr. Pepper V4	604,050,02x.x3	604,050,02x.x3	604,050,93x.x3
16	Ground Wire, 4"			
	All Styles	804,902,61x.x1	804,902,61x.x1	804,902,61x.x1
17	Door Strap			
	Coke, Pepsi, Generic Round, FLS, Dual Display, RC "L"	572,050,13x.x3	572,050,13x.x3	572,050,13x.x3
18	Assy. Coin Cup Large Port			
	Dr. Pepper V4 Only	801,809,18x.x1	801,809,18x.x1	604,057,90x.x3
19	Weld Assy. Coin Cup Large Port			
	Dr. Pepper V4 Only	604,051,50x.x3	604,051,50x.x3	604,056,20x.x3
20	Assy. Coin Chute Large Port			
	Dr. Pepper V4 Only	604,050,30x.x3	604,050,30x.x3	619,050,20x.x3

ITEM	DESCRIPTION	DNCB 600E 79" Wide	DNCB 501E 72" Wide	DNCB 276E 72" Narrow
21	Ballast Mounting Plate			
	Coke, Pepsi, Generic Round, RC "L"	493,050,06x.x3	493,050,06x.x3	493,050,07x.x3
	FLS	609,050,13x.x3	609,050,13x.x3	NA
	Narrow Circular LP	NA	NA	615,050,06x.x3
22	Validator Door, VRV			
	Pepsi, Generic Round, RC "L" Top / Coke Bottom	572,050,17x.x3	572,050,17x.x3	572,050,17x.x3
	Pepsi, Generic Round, RC "L" Bottom	592,050,04x.x3	592,050,04x.x3	592,050,04x.x3
	Dual Display	NA	NA	NA
23A	Plate, Validator Filler			
	Coke	572,051,30x.x3	572,051,30x.x3	572,051,30x.x3
	Pepsi, FLS, Generic Round, Dual Display, RC "L", Dr. Pepper V4	360,050,72x.x3	360,050,72x.x3	360,050,72x.x3
	Pepsi/Generic German Hoffer Board	592,059,80x.x3	592,059,80x.x3	592,059,80x.x3
23B	Validator Mounting Plates			
	Coke VRV with Ardac USA	572,051,50x.x3	572,051,50x.x3	572,051,50x.x3
	Coke VRV with Mars	572,051,40x.x3	572,051,40x.x3	572,051,40x.x3
	Coke VRV Coinco (Contact Coinco)	Coinco #407747	Coinco #407747	Coinco #407747
24	Gasket, Validator Filler			
	Coke	902,001,12x.x1	902,001,12x.x1	902,001,12x.x1
	Dr. Pepper V4, Generic Round, FLS, Dual Display, RC "L"	902,001,02x.x1	902,001,02x.x1	NA
	Pepsi	902,001,11x.x1	902,001,11x.x1	902,001,11x.x1
25	Kydex, Rain Diverter			
	Coke, Pepsi, Dual Display, RC "L", FLS, Generic Round SIID	801,903,18x.x1	801,903,18x.x1	801,902,71x.x1
	Coke, Pepsi, RC "L", FLS, Dual Display, Generic Round Single Price	801,902,71x.x1	801,902,71x.x1	801,902,71x.x1
	Dr. Pepper V4 Only	801,902,71x.x1	801,902,71x.x1	801,902,71x.x1
26	Center Door Stiffener			
	Coke, Pepsi, Generic Round, FLS, RC "L"	453,150,01x.x3	453,150,01x.x3	456,050,06x.x3
27A	POS Window			
	Coke	801,806,93x.x1	801,806,93x.x1	801,806,93x.x1
27B	POS Card			
		803,859,28x.x1	803,859,28x.x1	803,859,28x.x1
28	POS Window Gasket			
	Coke	902,001,03x.x1	902,001,03x.x1	902,001,03x.x1
29	POS Window Retainer			
	Coke	572,050,05x.x3	572,050,05x.x3	572,050,05x.x3
30	Water Deflector			
	Coke	NA	NA	801,903,48x.x1
	Pepsi, Generic FLS	NA	NA	801,903,43x.x1
31	Liquid Guard			
	Coke, Pepsi, RC "L", FLS, Dual Display, Generic Round	592,050,03x.x3	592,050,03x.x3	592,050,03x.x3
32	Top Bulkhead (above validator)			
	Dr. Pepper V4	604,050,95x.x3	604,050,95x.x3	619,050,06x.x3
33	Black Hole Plug 5/8" - Display			
		801,903,36x.x1	801,903,36x.x1	801,903,36x.x1
34	Door Stiffener - Wide			
		624,020,03x.x3	624,020,03x.x3	624,050,99x.x3

ITEM	DESCRIPTION	DNCB 600E 79" Wide	DNCB 501E 72" Wide	DNCB 276E 72" Narrow
A4	Screw, Phil Pan w/out washer #8-18x1/2"		900,301,50x.x1	
A9	Screw, Phil Pan Swage Form #8-32x3/8" (prior to 1970-6462)		900,301,56x.x1	
A11	Screw, Phil Pan Sems #8-32x1/4" (s/n 1970-6462 & higher)		900,301,97x.x1	
A15	Screw, Machine Truss #10-32x1/2"		900,201,14x.x1	
A16	Screw, Phil Pan Sems w/washer #8-18x1/2"		900,301,65x.x1	
A20	Screw, Machine Phil Pan #8-32x3/4"		900,201,22x.x1	
B1	Keps Nut #10-32		900,800,65x.x1	
B2	Keps Nut #1/4-20		900,800,67x.x1	
B3	Keps Nut #8-32		900,800,50x.x1	
B11	Hex Nut, Flange with Serrations #8-32 (Displays only)		900,800,81x.x1	
C12	Nylon Spacer (prior to 1970-6462)		801,902,48x.x1	
	Washer, Flat (for bottom access door hinge)		900,701,05x.x1	
E2	Carriage Bolt 1/4x20x1		900,201,17x.x1	
E4	Carriage Bolt 1/4-20x1/2		900,201,45x.x1	
E5	Carriage Bolt 1/4-20x3/8"		900,201,54x.x1	
F5	Pop Rivet, Steel (Zinc Plated) 1/8"		901,100,61x.x1	
I2	Nylon Spacer		801,902,48x.x1	



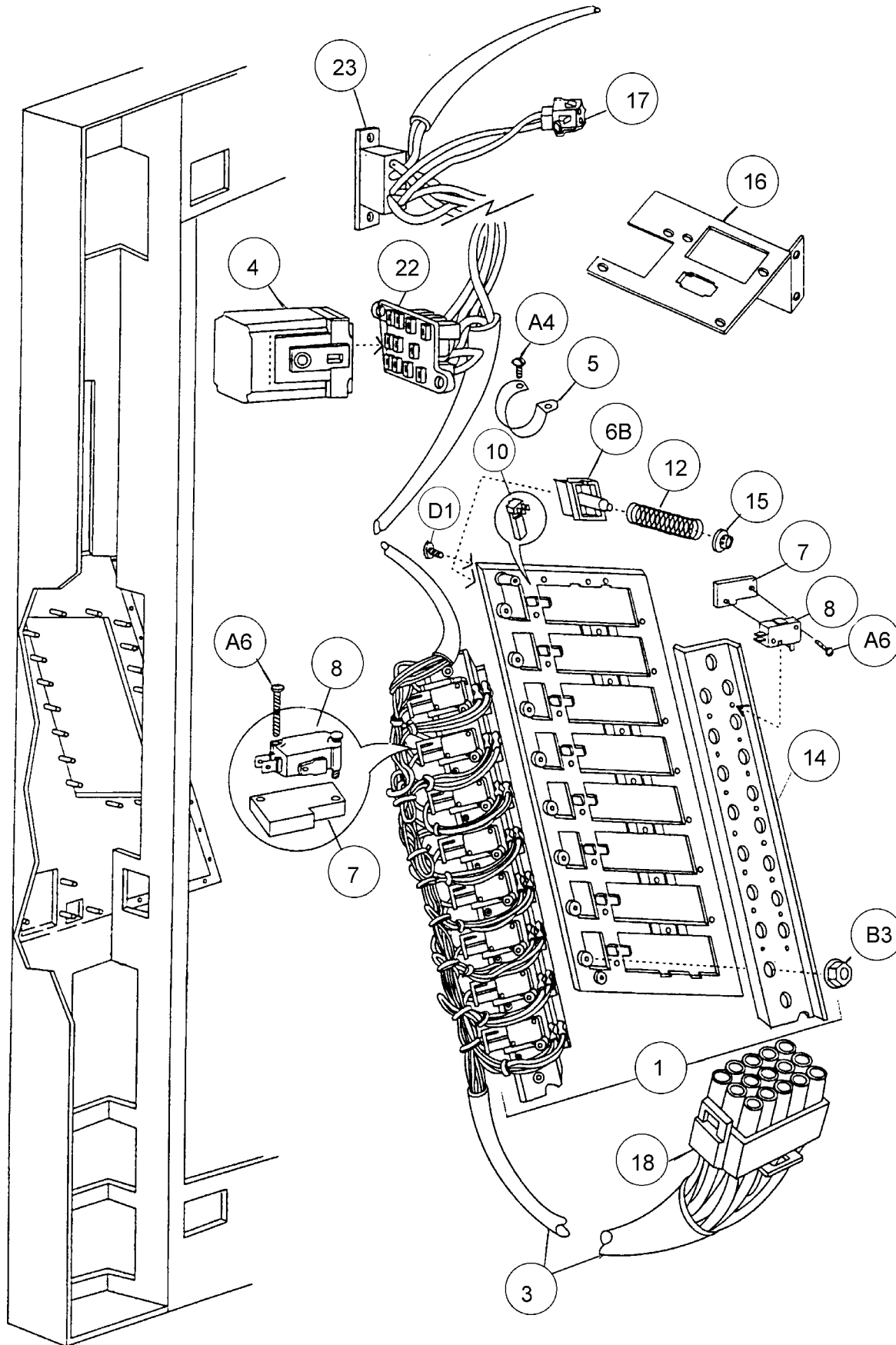
PULL OUT HANDLE & COIN INSERT

ITEM	DESCRIPTION	DNCB 600E 79" Wide	DNCB 501E 72" Wide	DNCB 276E 72" Narrow
1A	Coin Insert Assy. Kit VRV All Styles (Includes: Mounting geometry, label, coin return sub assembly, coin insert plate and stud assembly)			
	Coke Single Price (Domestic)	572,010,80x.x4	572,010,80x.x4	572,010,80x.x4
	Coke SIID (Domestic)	572,010,90x.x4	572,010,90x.x4	572,010,90x.x4
	Coke Single Price (Export)	572,011,20x.x4	572,011,20x.x4	572,011,20x.x4
	Coke SIID (Export)	572,011,10x.x4	572,011,10x.x4	572,011,10x.x4
	Pepsi, Generic Round Single Price (Domestic)	591,010,00x.x4	591,010,00x.x4	591,010,00x.x4
	Pepsi, Generic Round SIID (Domestic)	591,010,10x.x4	591,010,10x.x4	591,010,10x.x4
	Pepsi, Generic Round Single Price (Export)	591,010,30x.x4	591,010,30x.x4	591,010,30x.x4
	Pepsi, Generic Round SIID (Export)	591,010,20x.x4	591,010,20x.x4	591,010,20x.x4
2	Assy. Sub Coin Return (Includes: T-handle assy., coin return bracket, plunger, and rocker)			
	Coke, Pepsi, Generic Round, RC "L", FLS Single Price	572,050,60x.x3	572,050,60x.x3	572,050,60x.x3
	Coke, Pepsi, Generic Round SIID	572,052,10x.x3	572,052,10x.x3	572,052,10x.x3
	Coke SIID Australia	572,057,10x.x3	572,057,10x.x3	NA
	Dr. Pepper V4	604,050,90x.x3	604,050,90x.x3	NA
2B a	Flush Mount T-Handle Assy.			
	Coke, Pepsi, Generic Round, FLS, Dual Display, RC "L"	801,508,20x.x1	801,508,20x.x1	801,508,20x.x1
	Assy, Stainless Steel VRV T-Handle	801,516,86x.x1	801,516,86x.x1	801,516,86x.x1
	Dr. Pepper V4 1 point lock extended popout	801,518,22x.x1	801,518,22x.x1	801,518,22x.x1
	Dr. Pepper V4 2 point lock	801,516,05x.x1	801,516,05x.x1	NA
b	T-Handle Flush Mount			
	Coke, Pepsi, Generic Round, FLS, Dual Display, RC "L", Dr. Pepper V4 1 point lock	801,508,15x.x1	801,508,15x.x1	801,508,15x.x1
	Stainless Steel VRV T-Handle	801,516,84x.x1	801,516,84x.x1	801,516,84x.x1
	Dr. Pepper V4 2 point lock	801,515,90x.x1	801,515,90x.x1	801,515,90x.x1
c	Body, Flush Mount Lock			
	Coke, Pepsi, Generic Round, FLS, Dual Display, RC "L"	801,508,16x.x1	801,508,16x.x1	801,508,16x.x1
	Dr. Pepper V4	801,508,16x.x1	801,508,16x.x1	801,508,16x.x1
d	Stud, Flush Mount Lock			
	Coke, Pepsi, Generic Round, FLS, Dual Display, RC "L"	801,516,79x.x1	801,516,79x.x1	801,516,79x.x1
	Dr. Pepper V4 1 point lock extended popout	801,518,23x.x1	801,518,23x.x1	801,518,23x.x1
	Dr. Pepper V4 2 point lock	801,516,15x.x1	801,516,15x.x1	801,516,15x.x1
e	External Retaining Ring			
	Coke, Pepsi, Generic Round, FLS, Dual Display, RC "L"	801,507,34x.x1	801,507,34x.x1	801,507,34x.x1
	Dr. Pepper V4 (3)	801,507,34x.x1	801,507,34x.x1	801,507,34x.x1
f	Cross Pin			
	Coke, Pepsi, Generic Round, FLS, Dual Display, RC "L"	901,503,09x.x1	901,503,09x.x1	901,503,09x.x1
	Dr. Pepper 1 point lock extended pop-out T-handle	801,518,64x.x1	801,518,64x.x1	801,518,64x.x1
g	Spring			
	Coke, Pepsi, Generic Round, FLS, Dual Display, RC "L"	901,503,05x.x1	901,503,05x.x1	901,503,05x.x1
	Dr. Pepper V4	901,503,05x.x1	901,503,05x.x1	901,503,05x.x1
h	Hex Washer (see C4)			
	Coke, Pepsi, Generic Round, FLS, Dual Display, RC "L"	901,503,08x.x1	901,503,08x.x1	901,503,08x.x1
	Dr. Pepper V4	901,503,08x.x1	901,503,08x.x1	901,503,08x.x1
i	Flat Washer (see C3)			
	Coke, Pepsi, Generic Round, FLS, Dual Display, RC "L"	901,503,06x.x1	901,503,06x.x1	901,503,06x.x1
j	Spring, Flush Mount T-Handle			
	Coke, Pepsi, Generic Round, FLS, Dual Display, RC "L"	901,508,18x.x1	901,508,18x.x1	901,508,18x.x1

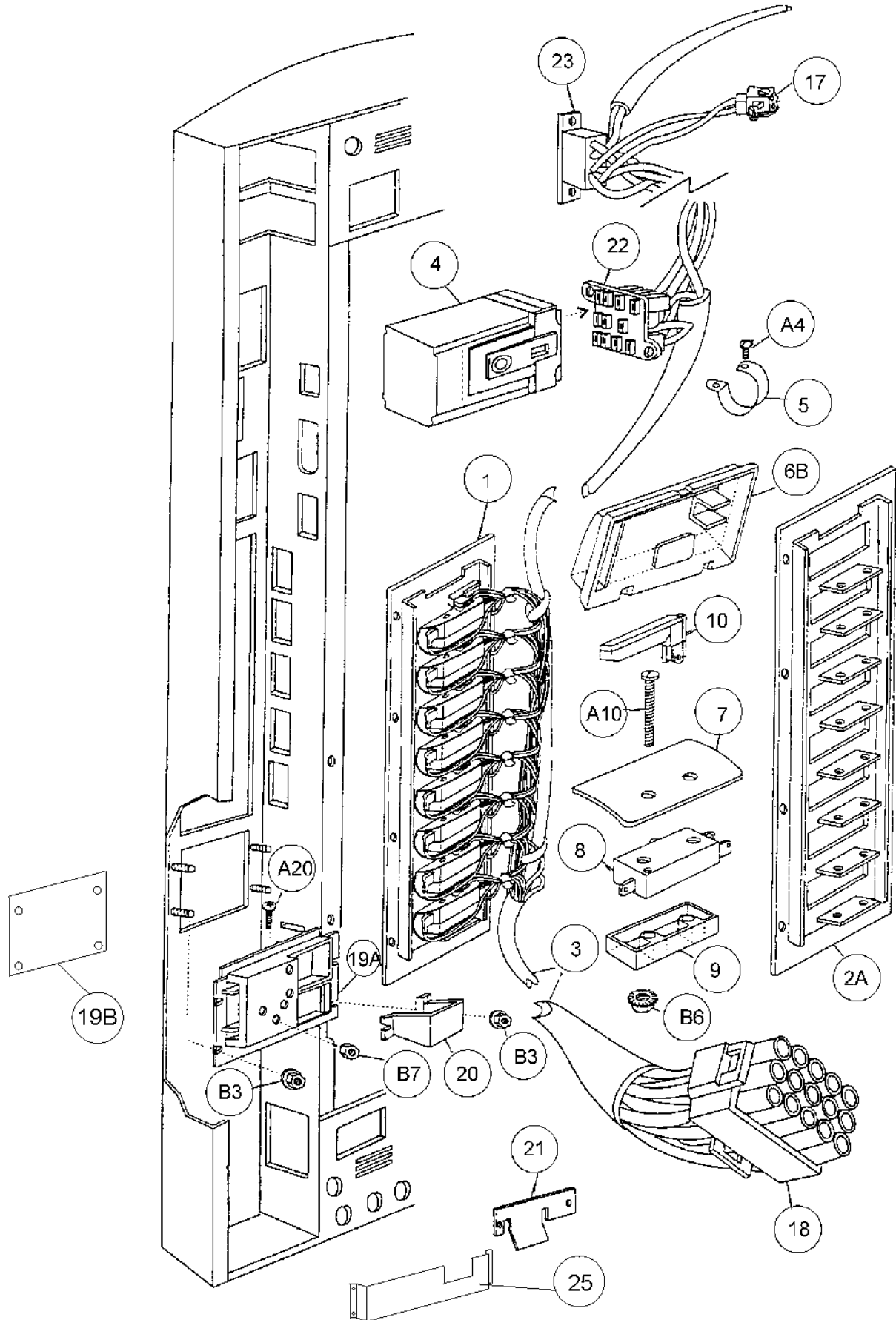
ITEM	DESCRIPTION	DNCB 600E 79" Wide	DNCB 501E 72" Wide	DNCB 276E 72" Narrow
k	Gear System			
	Dr. Pepper V4 Only	801,304,13x.x1	801,304,13x.x1	NA
l	E-Ring #31-30 (see H4)			
	Dr. Pepper V4 Only	901,503,07x.x1	901,503,07x.x1	901,503,07x.x1
m	Linkage 2-Point Lock			
	Dr. Pepper V4 Only	604,050,23x.x3	604,050,23x.x3	NA
n	Hole Bushing .5 Idx.625hole			
	Dr. Pepper V4	801,903,13x.x1	801,903,13x.x1	801,903,13x.x1
o	Extended Popout Adapter			
	Dr. Pepper V4	801,518,24x.x1	801,518,24x.x1	801,518,24x.x1
p	Extended Popout Spring			
	Dr. Pepper V4	801,518,64x.x1	801,518,64x.x1	801,518,64x.x1
q	T-Handle Alignment Tool			
	Dr. Pepper V4	604,010,10x.x3	604,010,10x.x3	604,010,10x.x3
r	T-Handle Bracket Shim			
	Dr. Pepper V4	604,051,35x.x3	604,051,35x.x3	604,051,35x.x3
s	T-Handle Bracket Assembly			
	Dr. Pepper V4	604,152,80x.x3	604,152,80x.x3	604,152,80x.x3
2C	Retainer, High Security Flange (back-up plate)			
	Coke, Pepsi, Generic Round, FLS, Dual Display, RC "L"	572,000,01x.x3	572,000,01x.x3	572,000,01x.x3
2D	Coin Return Bracket			
	Coke, Pepsi, Generic Round, FLS, Dual Display, RC "L"	572,050,24x.x3	572,050,24x.x3	572,050,24x.x3
	Dr. Pepper V4 - Button	604,050,03x.x3	604,050,03x.x3	604,050,03x.x3
	Dr. Pepper V4 - Changer	604,050,04x.x3	604,050,04x.x3	604,050,04x.x3
2E	Coin Return Plunger			
	Coke, Pepsi, Generic Round, FLS, Dual Display, RC "L"	572,050,23x.x3	572,050,23x.x3	572,050,23x.x3
2F	Coin Return Rocker			
	Coke, Pepsi, Generic Round, FLS, Dual Display, RC "L"	572,050,22x.x3	572,050,22x.x3	572,050,22x.x3
	Dr. Pepper V4 - Button	604,050,22x.x3	604,050,22x.x3	604,050,22x.x3
	Dr. Pepper V4 - Changer	604,050,21x.x3	604,050,21x.x3	604,050,21x.x3
2G	Push Button, Coin Return			
	All Styles	801,807,25x.x1	801,807,25x.x1	801,807,25x.x1
2H	Coin Return Rocker Pin (Service)			
	All Styles	900,502,81x.x1	900,502,81x.x1	900,502,81x.x1
2I	Use Correct Change Light - 125 VAC (single price)			
	Coke, Pepsi, Generic Round, RC "L"	804,700,54x.x1	804,700,54x.x1	804,700,54x.x1
	Dr. Pepper V4 (Single Price)	804,700,63x.x1	804,700,63x.x1	804,700,63x.x1
2J	Extension Spring			
	Coke, Pepsi, Generic Round, RC "L"	901,700,63x.x1	901,700,63x.x1	901,700,63x.x1
2K	Coin Return Pin Retainer Ring (Service)			
	All Styles	900,902,31x.x1	900,902,31x.x1	900,902,31x.x1
2L	Coin Return Linkage			
	Dr. Pepper V4 Only	801,401,68x.x1	801,401,68x.x1	801,401,81x.x1
3A	Vender Defender Kit			
	Pepsi, Generic Round	491,541,10x.x4	491,541,10x.x4	491,541,10x.x4
	Coke	491,540,70x.x4	491,540,70x.x4	491,540,70x.x4
a	Vender Defender Bottom and Screen			
	Coke	801,808,46x.x1	801,808,46x.x1	801,808,46x.x1
	Pepsi, Generic Round	801,811,04x.x1	801,811,04x.x1	801,811,04x.x1
b	Vender Defender Top Cover			
	Coke	801,808,47x.x1	801,808,47x.x1	801,808,47x.x1
	Pepsi, Generic Round	801,811,03x.x1	801,811,03x.x1	801,811,03x.x1

ITEM	DESCRIPTION	DNCB 600E 79" Wide	DNCB 501E 72" Wide	DNCB 276E 72" Narrow
c	Vender Defender Clip			
	Coke, Pepsi, Generic Round	801,807,49x.x1	801,807,49x.x1	801,807,49x.x1
d	Vender Defender Drain Hose			
	Coke, Pepsi, Generic Round	801,807,50x.x1	801,807,50x.x1	801,807,50x.x1
e	Vender Defender Instruction Package			
	Coke, Pepsi, Generic Round	801,807,51x.x1	801,807,51x.x1	801,807,51x.x1
f	Vender Defender Gasket			
	Coke, Pepsi, Generic Round	801,808,11x.x1	801,808,11x.x1	801,808,11x.x1
3B	Coin Chute			
	Coke, Pepsi, Generic Round, FLS, Dual Display, RC "L"	801,805,79x.x1	801,805,79x.x1	801,805,79x.x1
	Dr. Pepper V4	604,051,00x.x3	604,051,00x.x3	619,050,60x.x3
3C	Coin Chute Cover			
	Coke, Pepsi, Generic Round, FLS, Dual Display, RC "L"	801,805,80x.x1	801,805,80x.x1	801,805,80x.x1
	Dr. Pepper V4	NA	NA	NA
3D	Coin Chute Bracket			
		604,051,34x.x3	604,051,34x.x3	604,051,34x.x3
4	Assy. Lock Security Parts and Instruction Bag			
	All Styles	905,410,86x.x1	905,410,86x.x1	905,410,86x.x1
a	Envelope - Parts / Instruction			
	All Styles	905,406,89x.x1	905,406,89x.x1	905,406,89x.x1
b	Allen Key, 1/16" Hex			
	All Styles	801,101,15x.x1	801,101,15x.x1	801,101,15x.x1
c	Set Screw			
	All Styles	901,508,17x.x1	901,508,17x.x1	901,508,17x.x1
5A	Coin Insert Mounting Geometry - Domestic			
	Coke Single Price	801,807,20x.x1	801,807,20x.x1	801,807,20x.x1
	Coke SIID	801,807,22x.x1	801,807,22x.x1	801,807,22x.x1
	Pepsi, Generic Round, FLS, RC "L", Dual Display Single Price	801,807,69x.x1	801,807,69x.x1	801,807,69x.x1
	Pepsi, Generic Round, FLS, RC "L", Dual Display SIID	801,807,71x.x1	801,807,71x.x1	801,807,71x.x1
5B	Coin Insert Mounting Geometry - Large Coin			
	Coke Single Price	801,807,21x.x1	801,807,21x.x1	801,807,21x.x1
	Pepsi, Generic Round, FLS, RC "L", Dual Display Single Price	801,807,70x.x1	801,807,70x.x1	801,807,70x.x1
	Coke SIID	801,807,23x.x1	801,807,23x.x1	801,807,23x.x1
	Pepsi, Generic round, FLS, Dual Display, RC "L" SIID	801,807,72x.x1	801,807,72x.x1	801,807,72x.x1
6	Assy. Coin Insert Plate and Stud (less decal)			
	Coke Single Price	572,050,00x.x3	572,050,00x.x3	572,050,00x.x3
	Coke SIID	572,050,10x.x3	572,050,10x.x3	572,050,10x.x3
	Pepsi, Generic Round, FLS, RC "L", Dual Display Single Price	461,151,10x.x3	461,151,10x.x3	461,151,10x.x3
	Pepsi, Generic Round, FLS, RC "L", Dual Display SIID	461,150,80x.x3	461,150,80x.x3	461,150,80x.x3
	Dr. Pepper V4 w/label Single Price	604,053,60x.x3	604,053,60x.x3	604,057,50x.x3
	Dr. Pepper V4 w/label SIID	604,051,10x.x3	604,051,10x.x3	604,057,60x.x3
7	Coin Insert Decal			
	Coke Single Price	803,835,07x.x1	803,835,07x.x1	803,835,07x.x1
	Coke SIID	803,835,08x.x1	803,835,08x.x1	803,835,08x.x1
	Pepsi, Generic Round, FLS, Dual Display, RC "L" Single Price	803,837,67x.x1	803,837,67x.x1	803,837,67x.x1
	Pepsi, Generic Round, FLS, Dual Display, RC "L" SIID	803,837,66x.x1	803,837,66x.x1	803,837,66x.x1
	Dr Pepper V4 Wide Slot	803,860,76x.x1	803,860,76x.x1	803,860,76x.x1
	Dr Pepper V4 SIID Wide Slot	803,860,75x.x1	803,860,75x.x1	803,860,75x.x1

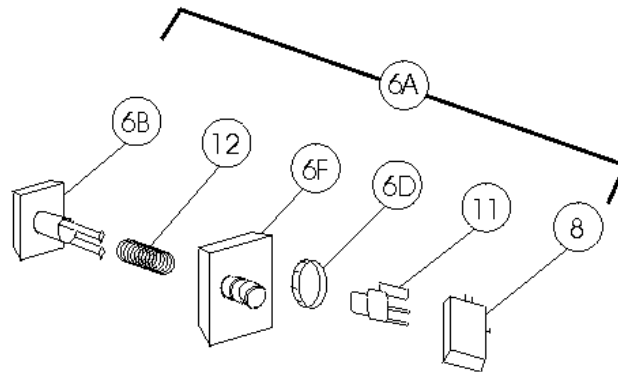
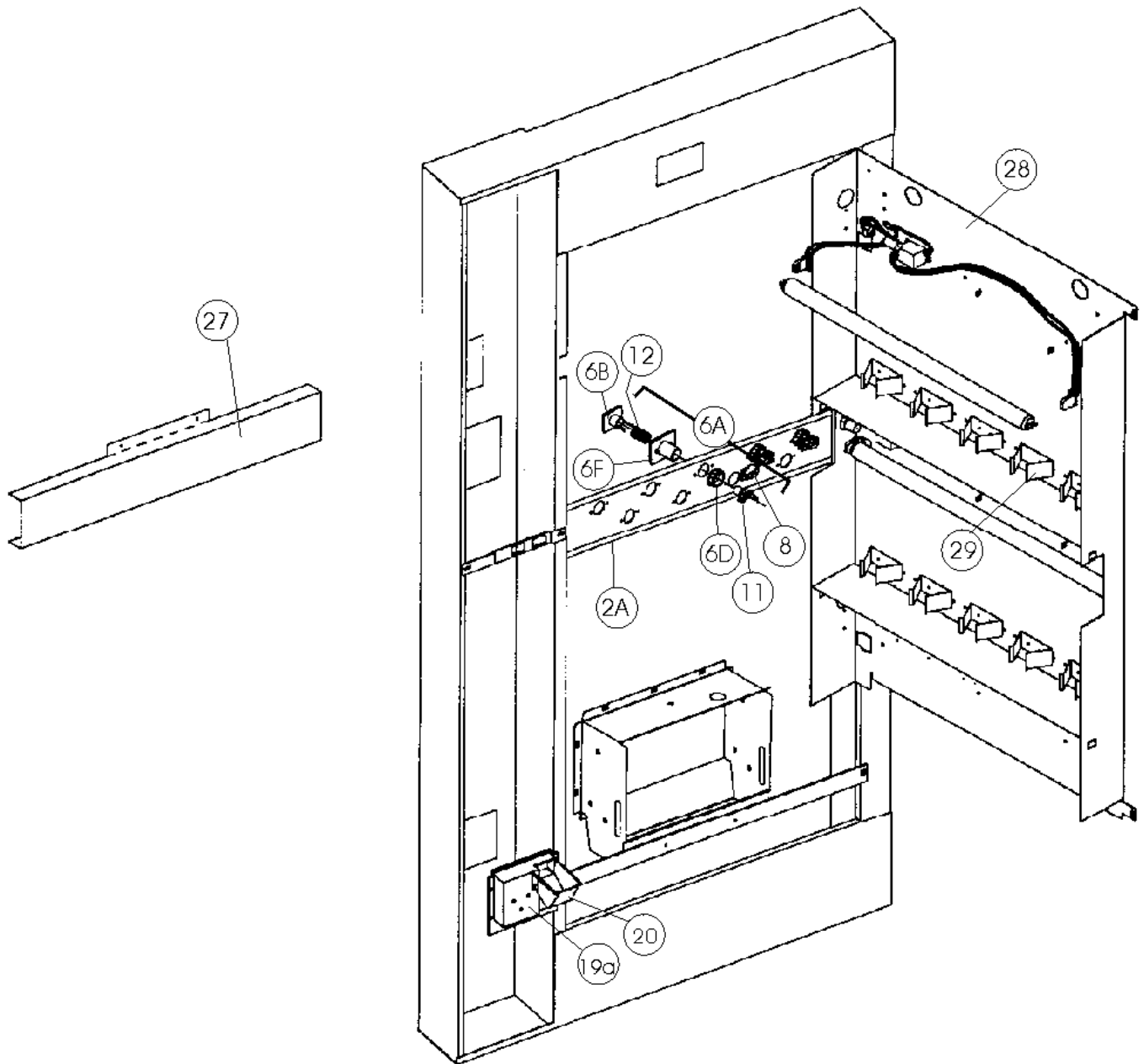
ITEM	DESCRIPTION	DNCB 600E 79" Wide	DNCB 501E 72" Wide	DNCB 276E 72" Narrow
8	Lock Cover Kit			
	Coke, RC "L" - VRV	572,010,10x.x4	572,010,10x.x4	572,010,10x.x4
	Pepsi, Generic Round, Dual Display, FLS - VRV	480,011,20x.x4	480,011,20x.x4	480,011,20x.x4
	Dr. Pepper V4	604,054,50x.x4	604,054,50x.x4	604,054,50x.x4
	Coke VRV w/American Lock Company Series 2000 Lock	572,012,10x.x4	572,012,10x.x4	572,012,10x.x4
	Pepsi VRV w/American Lock Company Series 2000 Lock	592,010,20x.x4	592,010,20x.x4	592,010,20x.x4
	Coke Marketing Machine	624,010,00x.x4	624,010,00x.x4	624,010,00x.x4
9	Coin Insert Block Off Plate			
	Pepsi, Generic Round	609,011,50x.x3	609,011,50x.x3	609,011,50x.x3
A1	Screw, Phil Pan Swage Form #6-32x3/8		900,301,70x.x1	
A2	Screw, Phil Pan Swage Form w/washer #8-18x1/2		900,301,64x.x1	
A4	Screw, Phil Pan w/out Washer #8-18x1/2		900,301,50x.x1	
A9	Screw, Phil Pan Swage Form #8-32x3/8		900,301,56x.x1	
A14	Screw, Phil Pan Form #10-32x1 1/4"		900,301,81x.x1	
A31	Screw, Phil Pan Swage Form #8-32x1/2"		900,301,55x.x1	
B2	Keps Nut 1/4-20		900,800,67x.x1	
B3	Keps Nut #8-32		900,800,50x.x1	
D3	T-Bolt #8-32x3/4"		900,400,35x.x1	
E6	Carriage Bolt 1/4-20x3/4		900,201,56x.x1	
F6	Pop Rivet, Aluminum 1/8"		901,100,53x.x1	
I4	Vender Defender Clamp		801,807,49x.x1	



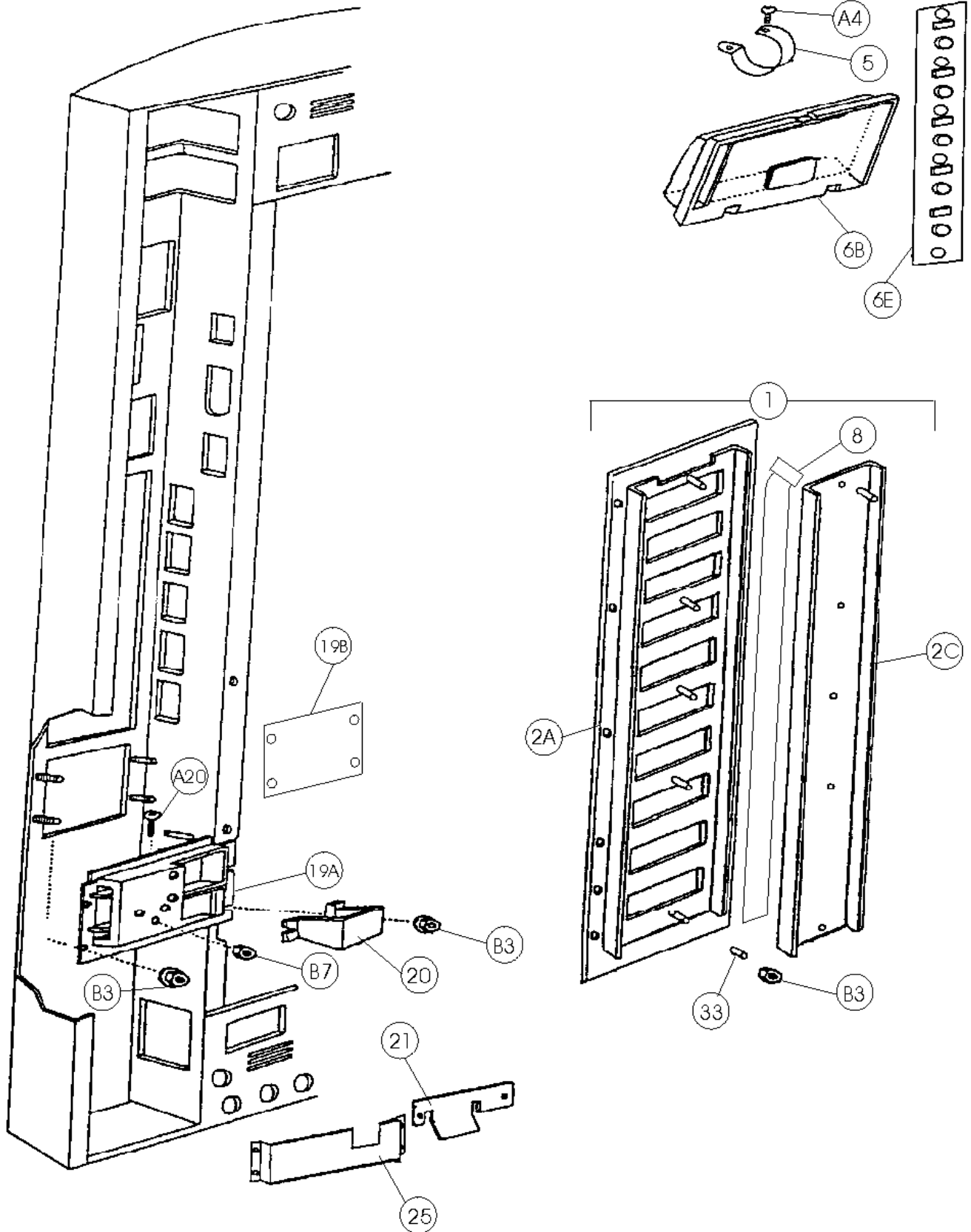
LANDSCAPE



PEPSI / GENERIC ROUND



DUAL DISPLAY



**MEMBRANE PANELS
PEPSI / GENERIC ROUND**

SELECT PANEL

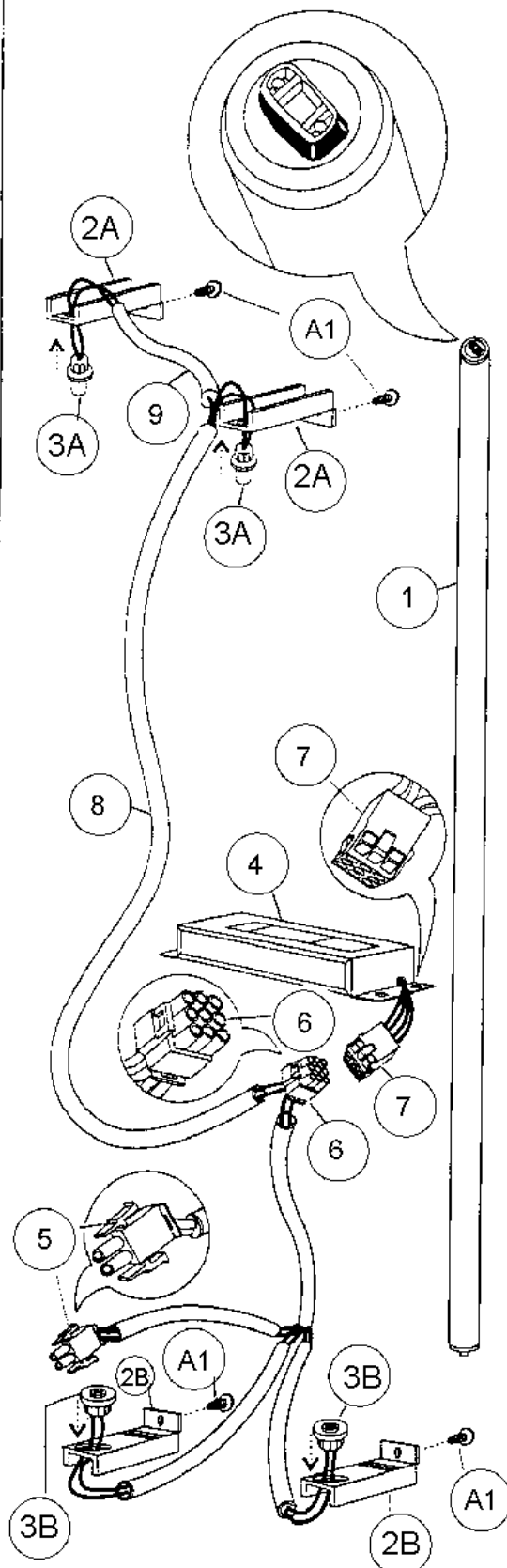
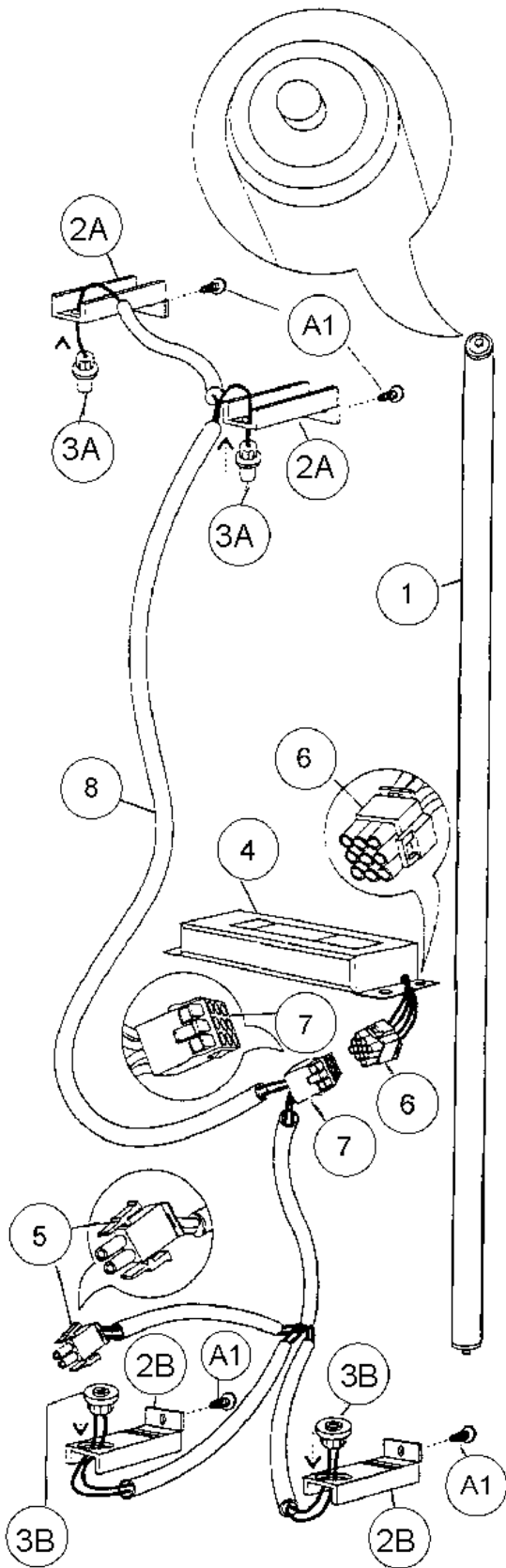
ITEM	DESCRIPTION	DNCB 600E 79" Wide	DNCB 501E 72" Wide	DNCB 276E 72" Narrow
1	Select Panel Assy.			
	Coke Single Price	572,051,10x.x3	572,051,10x.x3	572,050,50x.x3
	Coke SIID	572,053,60x.x3	572,053,60x.x3	572,053,70x.x3
	Pepsi, Generic Round, FLS Single Price	596,052,30x.x3	596,052,30x.x3	615,050,20x.x3
	Pepsi, Generic Round, FLS SIID	596,052,10x.x3	596,052,10x.x3	615,050,00x.x3
	Pepsi, Generic Round, FLS, RC "L" SIID Membrane - reference serial break of main door assys.	594,054,10x.x3	594,054,10x.x3	594,054,30x.x3
	Dr. Pepper V4	604,056,40x.x3	604,056,40x.x3	619,050,80x.x3
	Dual Display 2P3W	613,050,40x.x3	613,050,40x.x3	616,050,20x.x3
	RC "L"	596,052,30x.x3	596,052,10x.x3	NA
2A	Select Panel			
	Coke (Lens)	801,807,18x.x1	801,807,18x.x1	801,807,18x.x1
	Pepsi, Generic Round, FLS (Weld Assy.)	596,052,00x.x3	596,052,00x.x3	615,050,10x.x3
	Pepsi, Generic Round, FLS Membrane (weld assy)	594,054,90x.x3	594,054,90x.x3	594,055,00x.x3
	RC "L"	596,052,00x.x3	596,052,00x.x3	NA
2B	Dual Display 2P3W	613,050,03x.x3	613,050,03x.x3	616,050,01x.x3
	Frame Mount, Lens			
2C	Coke	572,000,02x.x3	572,000,02x.x3	572,000,02x.x3
	Assy. Chassis and Stud Membrane			
3	Pepsi, Generic Round, FLS Membrane	594,054,60x.x3	594,054,60x.x3	594,054,70x.x3
	Door Harness	See Wiring Harness Section		
4	Vend Relay (Single Price Only)			
	All Styles Single Price Only	804,200,17x.x1	804,200,17x.x1	804,200,17x.x1
5	1" Clamp, Heyco 3390 (See I5)			
	All Styles	901,901,89x.x1	901,901,89x.x1	901,901,89x.x1
6A	Select Button Assy.			
	Dr. Pepper V4	801,809,41x.x1	801,809,41x.x1	801,809,41x.x1
	Dual Display	801,903,02x.x1	801,903,02x.x1	801,903,02x.x1
6B	Select Button			
	Coke	801,805,71x.x1	801,805,71x.x1	801,805,71x.x1
	Coke Dummy Button	801,809,11x.x1	801,809,11x.x1	801,809,11x.x1
	Pepsi, Generic Round, FLS, RC "L" (Small Rectangle)	801,805,11x.x1	801,805,11x.x1	801,805,11x.x1
	Pepsi, Generic Round, FLS Membrane Only (small rectangle)	801,809,24x.x1	801,809,24x.x1	801,809,24x.x1
	Dr. Pepper V4 (button only)	801,809,35x.x1	801,809,35x.x1	801,809,35x.x1
	Dual Display (button only)	801,808,92x.x1	801,808,92x.x1	801,808,92x.x1
6C	Select Button Lens			
	Dual Display (1X2)	801,808,93x.x1	801,808,93x.x1	801,808,93x.x1
6D	Select Button Nut			
	Dual Display, Dr. Pepper V4	801,807,99x.x1	801,807,99x.x1	801,807,99x.x1
6E	Keypad, 5 position - Membrane Only (2 per)			
	Pepsi, Generic Round, FLS Membrane	801,809,26x.x1	801,809,26x.x1	801,809,26x.x1
6F	Select Button Housing			
	Dr. Pepper V4	801,809,39x.x1	801,809,39x.x1	801,809,39x.x1
	Dual Display (1x2)	801,808,94x.x1	801,808,94x.x1	801,808,94x.x1
6G	Arrow Flavor Card			
	Dual Display Only	903,855,46x.x1	903,855,46x.x1	903,855,46x.x1
6H	Blank Flavor Card			
	Coke Only	903,845,74x.x1	903,845,74x.x1	903,845,74x.x1

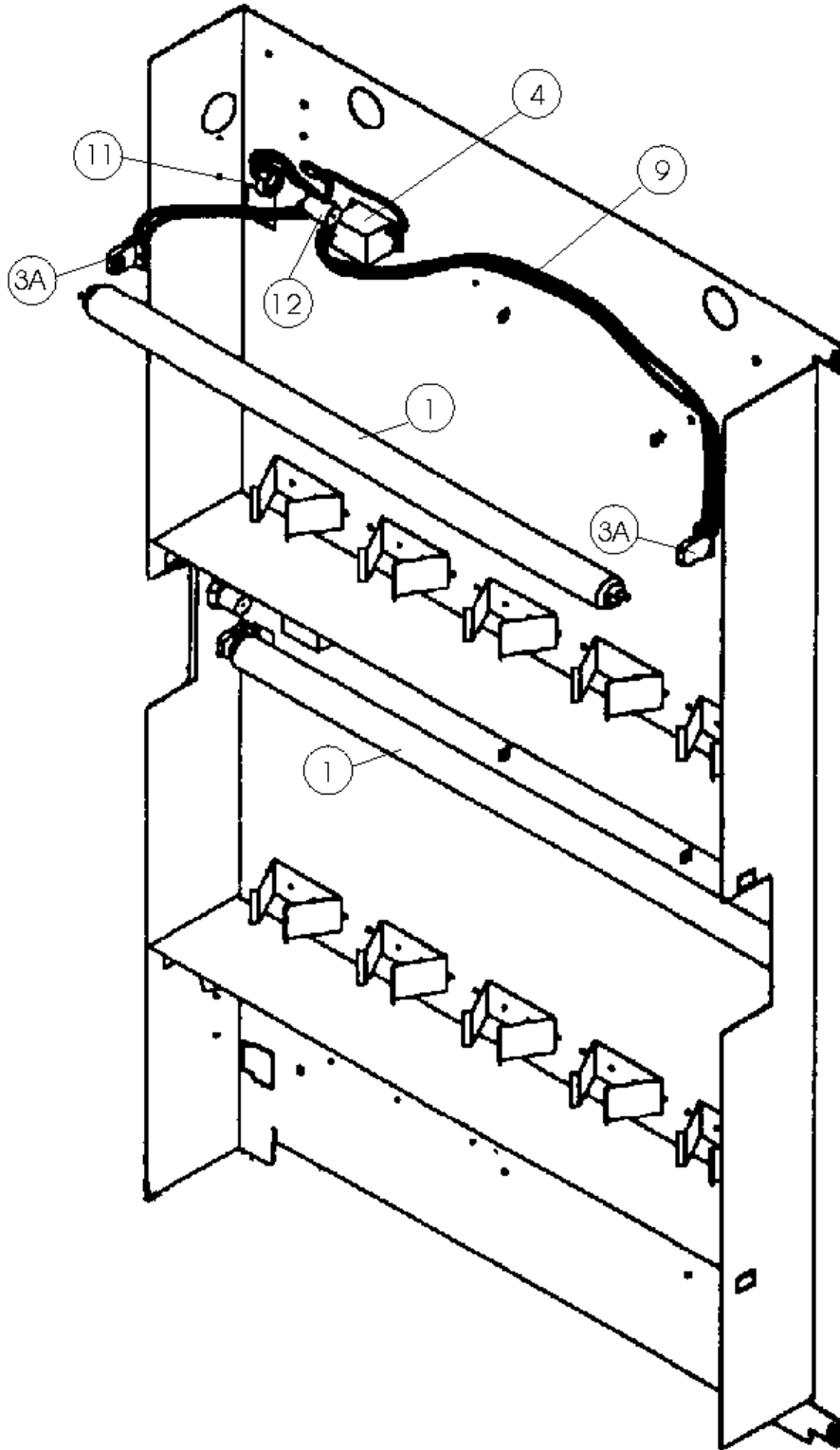
ITEM	DESCRIPTION	DNCB 600E 79" Wide	DNCB 501E 72" Wide	DNCB 276E 72" Narrow
7	Insulator, Switch & Mylar Spring			
	Pepsi, Generic Round, FLS, RC "L"	801,804,62x.x1	801,804,62x.x1	801,804,62x.x1
8	Select Switch			
	Coke, Dr. Pepper V4, Dual Display Single Price	804,100,71x.x1	804,100,71x.x1	804,100,71x.x1
	Coke, Dr. Pepper V4, Dual Display SIID	804,100,74x.x1	804,100,74x.x1	804,100,74x.x1
	Pepsi, Generic Round, FLS, RC "L" Single Price	804,100,51x.x1	804,100,51x.x1	804,100,51x.x1
	Pepsi, Generic Round, FLS, RC "L" SIID	804,100,76x.x1	804,100,76x.x1	804,100,76x.x1
	Select Switch Membrane - Pepsi, Generic Round, FLS	See Wiring Harness Section		
	Pepsi, Generic Round, FLS Membrane (Switch Membrane SIID)	804,912,85x.x1	804,912,85x.x1	804,913,01x.x1
	Dual Display Select Switch Assy. SIID	801,808,86x.x1	801,808,86x.x1	801,808,86x.x1
9	Select Button Stop			
	Pepsi, Generic Round, FLS, RC "L"	801,804,54x.x1	801,804,54x.x1	801,804,54x.x1
10	Sold Out Lamp (Single Price Only)			
	Coke	804,700,54x.x1	804,700,54x.x1	804,700,54x.x1
	Pepsi, Generic Round, FLS, RC "L"	804,700,51x.x1	804,700,51x.x1	804,700,51x.x1
	Dr. Pepper V4	804,700,63x.x1	804,700,63x.x1	804,700,63x.x1
11	Select Switch Holder			
	Dual Display	801,808,86x.x1	801,808,86x.x1	801,808,86x.x1
	Dr. Pepper V4	801,809,38x.x1	801,809,38x.x1	801,809,38x.x1
12	Select Button Spring			
	Coke, Dr. Pepper V4	901,700,72x.x1	901,700,72x.x1	901,700,72x.x1
	Pepsi, Generic Round, FLS, RC "L"	See Item 7	See Item 7	See Item 7
	Dual Display	901,701,06x.x1	901,701,06x.x1	901,701,06x.x1
13	Select Switch Bar Assy.			
	Dr. Pepper V4 -9	604,053,70x.x3	604,053,70x.x3	604,053,70x.x3
14	Switch Bar			
	Coke	801,807,19x.x1	801,807,19x.x1	801,807,19x.x1
	Dr. Pepper V4	604,050,63x.x3	604,050,63x.x3	604,050,63x.x3
15	Nylet, Switchbar			
	Coke	902,000,58x.x1	902,000,58x.x1	902,000,58x.x1
16	Changer Socket Mounting Bracket			
	Micro Mech (15 pin) Pepsi, Generic Round, Dr. Pepper V4,	524,050,14x.x3	524,050,14x.x3	524,050,14x.x3
	Coke, RC "L", Dual Display, FLS			
	Single Price Coke, Pepsi, Generic Round, FLS, Dual Display, RC "L"	572,050,09x.x3	572,050,09x.x3	572,050,09x.x3
17	2-Way Cap (1-480-699-0)			
	All Single Price Styles	904,600,70x.x1	904,600,70x.x1	904,600,70x.x1
18	15-Way Plug (Amp 1-480-710-0)			
	All Single Price Styles	904,600,83x.x1	904,600,83x.x1	904,600,83x.x1
19A	Change Cup & Opener Bezel (prior to 6434)			
	Coke, Pepsi, Generic Round, Dual Display, FLS, RC "L"	801,805,61x.x1	801,805,61x.x1	801,805,61x.x1
19B	Coin Cup filler Plate (6439 and higher)			
	Coke, Pepsi, Generic Round, Dual Display, FLS, RC "L"	572,058,40x.x3	572,058,40x.x3	572,058,40x.x3
20	Change Cup			
	Coke, Pepsi, Generic Round, Dual Display, FLS, RC "L" (prior to 6434)	801,805,53x.x1	801,805,53x.x1	801,805,53x.x1
	Dr. Pepper V4 (Assy.)	604,057,90x.x3	604,057,90x.x3	604,057,90x.x3
	Coke, Pepsi, Generic Round, Dual Display, FLS, RC "L" (6439 & higher)	801,810,14x.x1	801,810,14x.x1	801,810,14x.x1
21	Opener Housing Reinforcement Plate (prior to 6439)			
	Coke, Pepsi, Generic Round, Dual Display, FLS, RC "L"	399,050,27x.x3	399,050,27x.x3	399,050,27x.x3
22	Vend Relay Socket (93-153-1)			
	All Single Price Styles	904,600,62x.x1	904,600,62x.x1	904,600,62x.x1

ITEM	DESCRIPTION	DNCB 600E 79" Wide	DNCB 501E 72" Wide	DNCB 276E 72" Narrow
23	Coin Changer Socket (8 Pin Jones) (1-480-289-0)			
	All Single Price Styles	904,600,60x.x1	904,600,60x.x1	904,600,60x.x1
24	Flavor Card Carrier			
	Coke	801,807,30x.x1	801,807,30x.x1	801,807,30x.x1
	Dr. Pepper V4	801,809,44x.x1	801,809,44x.x1	801,810,40x.x1
25	Coin Return Cup Retainer (prior to 6439)			
	Coke, Pepsi, Generic Round, Dual Display, FLS, RC "L"	572,050,08x.x3	572,050,08x.x3	572,050,08x.x3
26	Liquid Guard VRV			
	Coke	572,050,16x.x3	572,050,16x.x3	572,050,16x.x3
	Pepsi, Dual Display, Generic Round, FLS, RC "L"	592,050,03x.x3	592,050,03x.x3	592,050,03x.x3
27	Select Panel Cover			
	Dual Display	601,050,16x.x3	601,050,16x.x3	602,050,16x.x3
28	Assy., Lamp & Shelf			
	Dual Display	613,050,20x.x3	613,050,20x.x3	616,050,30x.x3
29	Package Retainer			
	Dual Display	801,304,84x.x1	801,304,84x.x1	801,304,84x.x1
30	Latch, Assy Lamp & Shelf			
	Dual Display	801,304,53x.x1	801,304,53x.x1	801,304,53x.x1
31	Rain Shelf, Select Panel			
	Dr. Pepper V4	604,050,66x.x3	604,050,66x.x3	604,051,22x.x3
32	Screw Mount Wire Tie - Membrane Only			
	Pepsi, Generic Round, FLS	801,903,42x.x1	801,903,42x.x1	801,903,42x.x1
33	Standoff, .187x.312x.625			
	Membrane Only - Pepsi, Generic Round, FLS	901,001,44x.x1	901,001,44x.x1	901,001,44x.x1
A4	Screw, Phil Pan w/out washer #8-18x1/2		900,301,50x.x1	
A6	Screw Vend Motor #4x3/4" single switch		900,300,47x.x1	
A10	Screw, Machine #6-32x1 1/4"		900,201,31x.x1	
A20	Screw, Machine Phil Pan #8-32x3/4"		900,201,22x.x1	
A30	Screw, Plastic 8-hi/lowx1 1/4"		900,301,99x.x1	
A35	Screw, Self Tapping #8-18x3/4"		900,302,02x.x1	
A36	Screw, #6-32x1/4" Phil Pan		900,201,86x.x1	
B2	Keps Nut, 1/4-20		900,800,67x.x1	
B3	Keps Nut, #8-32		900,800,50x.x1	
B6	Keps Nut, #6-32		900,800,49x.x1	
B7	Elastic Stop Nut #8-32		900,800,51x.x1	
D1	T-Bolt #8-32x1"		900,400,43x.x1	
E2	Carriage Bolt, 1/4-20x1"		900,201,17x.x1	
E5	Carriage Bolt, 1/4-20x3/8"		900,201,54x.x1	
I13	Canoe Clip		900,902,14x.x1	

SLIMLINE

HIGH OUTPUT





DUAL DISPLAY

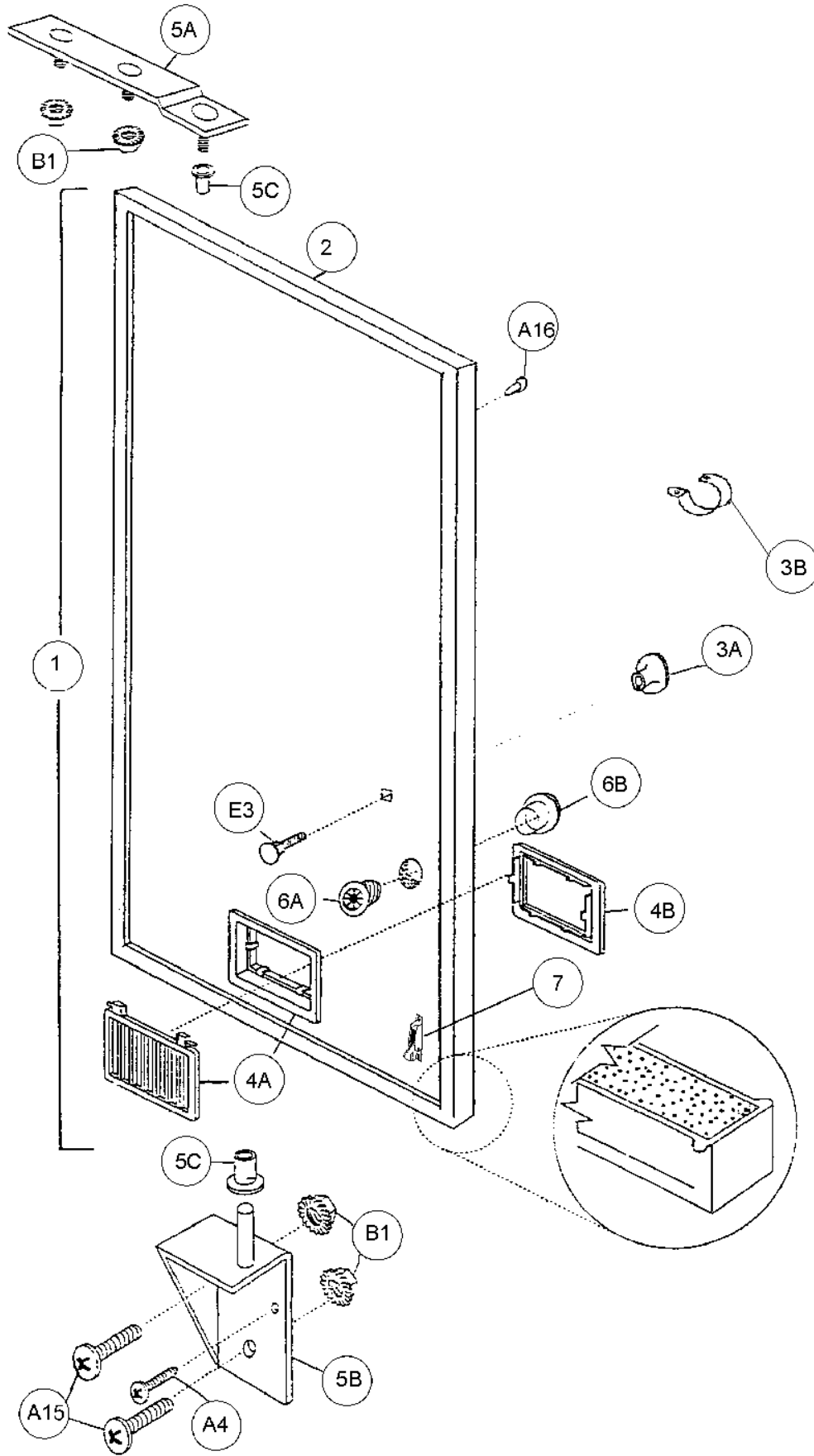
LIGHTING

ITEM	DESCRIPTION	DNCB 600E 79" Wide	DNCB 501E 72" Wide	DNCB 276E 72" Narrow
1	Fluorescent Bulb			
	Coke, Dr. Pepper V4 (F72T 12/D H/O 79")	804,700,36x.x1	NA	NA
	Coke, Dr. Pepper V4 (F64T 12/D H/O 72")	NA	804,700,37x.x1	804,700,37x.x1
	Pepsi, Generic Round, RC "L", FLS, Dr. Pepper V4 (F72T 12/D S/L 79")	804,700,31x.x1	NA	NA
	Pepsi, Generic Round, RC "L", FLS, Dr. Pepper (F64T12/D S/L 72")	NA	804,700,30x.x1	804,700,30x.x1
	Dual Display (F20T 12D 24" Daylight 20W)	804,700,05x.x1	804,700,05x.x1	NA
	Dual Display (F14T 12/CW 15" 14W)	NA	NA	804,700,62x.x1
2A	Door Bracket Lamp Socket Top			
	Coke, Pepsi, Generic Round, RC "L", Dr. Pepper V4, FLS	432,050,38x.x3	432,050,38x.x3	432,050,38x.x3
2B	Door Bracket Lamp Socket Bottom			
	Assy., Right Dr. Pepper V4	604,051,60x.x3	604,051,60x.x3	604,052,50x.x3
	Extended Lamp Socket Dr. Pepper V4	NA	NA	619,050,25x.x3
3A	Top Lamp Holders			
	Coke, Dr. Pepper V4 H/O 523	804,901,99x.x1	804,901,99x.x1	804,901,99x.x1
	Pepsi, Generic Round, RC "L", FLS, Dr. Pepper V4 S/L 516	804,902,02x.x1	804,902,02x.x1	804,902,02x.x1
	Lamp Holder, Dual Display	804,908,36x.x1	804,908,36x.x1	804,908,36x.x1
3B	Bottom Lamp Holders			
	Coke, Dr. Pepper V4 H/O 524	804,902,00x.x1	804,902,00x.x1	804,902,00x.x1
	Pepsi, Generic Round, RC "L", FLS, Dr. Pepper S/L 517	804,902,03x.x1	804,902,03x.x1	804,902,03x.x1
	Lamp Holder, Dual Display	804,908,36x.x1	804,908,36x.x1	804,908,36x.x1
4	Ballast			
	Coke, Dr. Pepper V4	804,400,38x.x1	804,400,38x.x1	804,400,38x.x1
	Pepsi, Generic Round, RC "L", FLS, Dr. Pepper V4	804,400,37x.x1	804,400,37x.x1	804,400,37x.x1
	Ballast Assy. - Dual Display	804,400,51x.x1	804,400,51x.x1	804,400,51x.x1
5	Two-Way Plug (1-480-698-0)			
	All Styles	904,600,71x.x1	904,600,71x.x1	904,600,71x.x1
6	Nine-Way Plug (1-480-760-0)			
	All Styles	904,600,67x.x1	904,600,67x.x1	904,600,67x.x1
7	Nine-Way Cap (1-480-707-0)			
	All Styles	904,600,66x.x1	904,600,66x.x1	904,600,66x.x1
8	Light Lead, Harness			
	Coke, Dr. Pepper V4	804,914,44x.x1	804,914,44x.x1	804,914,44x.x1
	Pepsi, Generic Round, RC "L"	804,914,45x.x1	804,914,45x.x1	804,914,45x.x1
9	Lamp Fixture Jumper Top Lead			
	Coke, Dr. Pepper V4	804,904,92x.x1	804,904,92x.x1	804,904,92x.x1
	3 Light Lead Main Harness - Dual Display	803,855,55x.x1	803,855,55x.x1	804,911,07x.x1
10	Ballast Mounting Plate			
	Coke, Pepsi, RC "L"	493,050,06x.x3	493,050,06x.x3	493,050,07x.x3
	FLS	609,050,13x.x3	609,050,13x.x3	609,050,13x.x3
11	Starter Base			
	Dual Display	804,908,36x.x1	804,908,36x.x1	804,908,92x.x1
12	Starter			
	Dual Display - FS-25	904,800,41x.x1	904,800,41x.x1	904,800,41x.x1
13	Boot, Fluorescent Bulb			
	Dr. Pepper V4	902,001,21x.x1	902,001,21x.x1	902,001,21x.x1
A1	Screw, Phil Pan Swage Form #6-32x3/8		900,301,700,11	
A3	Screw, Phil Pan Swage Form #10-32x5/16		900,301,83x.x1	

HARNESSING

ITEM	DESCRIPTION	DNCB 600E 79" Wide	DNCB 501E 72" Wide	DNCB 276E 72" Narrow
1	Cabinet Harness (from switches to door)			
	All Single Price	804,912,52x.x1	804,912,52x.x1	804,912,68x.x1
	All SIID	804,912,57x.x1	804,912,57x.x1	804,912,73x.x1
2	Door Harness (select switch, door switch)			
	Coke Single Price	804,912,49x.x1	804,912,49x.x1	804,912,69x.x1
	Coke SIID	804,909,17x.x1	804,909,17x.x1	804,909,15x.x1
	Pepsi, Generic Round, RC "L", FLS Single Price	804,912,50x.x1	804,912,50x.x1	804,912,70x.x1
	Pepsi, Generic Round, RC "L", FLS SIID	804,912,54x.x1	804,912,54x.x1	804,912,75x.x1
	Pepsi, Generic Round, FLS SIID Membrane Interface	804,912,83x.x1	804,912,83x.x1	804,912,83x.x1
	Dr. Pepper V4 Single Price	804,912,51x.x1	804,912,51x.x1	NA
	Dr. Pepper V4 SIID	804,912,65x.x1	804,912,65x.x1	NA
	Display Door SIID	804,912,67x.x1	804,912,62x.x1	804,912,95x.x1
3	Main Wiring Harness (Domestic)			
	All Styles	804,902,22x.x1	804,902,22x.x1	804,902,22x.x1
4	Motor Harness (from motors to door)			
	All SIID	804,912,56x.x1	804,912,56x.x1	804,912,72x.x1
5	Display Harness			
	Coke, Pepsi, Generic Round, RC "L", FLS, Dual Display SIID	804,909,77x.x1	804,909,77x.x1	804,909,77x.x1
	Dr. Pepper V4 SIID	804,909,50x.x1	804,909,50x.x1	NA
6	Cabinet Extension Harness (from SIID board to bottom of door)			
	Coke, Pepsi, Generic Round, RC "L", FLS, Dual Display SIID	804,909,28x.x1	804,909,28x.x1	804,909,28x.x1
	Dr. Pepper V4 SIID	804,909,30x.x1	804,909,30x.x1	NA
7	Motor Extension Harness (from SIID board to bottom of door)			
	90" Coke, Pepsi, Generic Round, RC "L", FLS, Dual Display SIID	804,909,29x.x1	804,909,29x.x1	804,909,29x.x1
	62" Dr. Pepper V4 SIID	804,909,31x.x1	804,909,31x.x1	NA
8	Coin Mech Harness SIID			
	SIID MC 5000 (micro mech)	804,909,71x.x1	804,909,71x.x1	804,909,71x.x1
	SIID MC 5000 (micro mech) Extended	804,909,51x.x1	804,909,51x.x1	804,909,51x.x1
	SIID Multi-drop Bus (MDB)	804,909,78x.x1	804,909,78x.x1	804,909,78x.x1
	SIID Multi-drop Bus (MDB) Extended	804,909,53x.x1	804,909,53x.x1	804,909,53x.x1
9	Note Acceptor Harness SIID			
	Low Level (USA & Mars)	804,909,72x.x1	804,909,72x.x1	804,909,72x.x1
	Low Level (USA & Mars) Extended	804,909,54x.x1	804,909,54x.x1	804,909,54x.x1
	High Level (Mars)	804,909,74x.x1	804,909,74x.x1	804,909,74x.x1
	High Level (Mars - Extended)	804,909,52x.x1	804,909,52x.x1	804,909,52x.x1
	High Level (Maka)	804,909,76x.x1	804,909,76x.x1	804,909,76x.x1
	High Level (CBA-2 & UBA-2)	804,909,75x.x1	804,909,75x.x1	804,909,75x.x1
	High Level (BA-30)	804,909,79x.x1	804,909,79x.x1	804,909,79x.x1
	Low Level (Mars 110V VFM1 or 3 & VN2001)	804,910,85x.x1	804,910,85x.x1	804,910,85x.x1
	MDB (BA-30) #407420	804,912,94x.x1	804,912,94x.x1	804,912,94x.x1
	Low Level Extension Harness (use with card reader, mech and validator)	804,913,21x.x1	804,913,21x.x1	804,913,21x.x1
Mars MDB #2500 71043	Not Available			
10	DEX Harness			
	All Styles SIID	804,907,83x.x1	804,907,83x.x1	804,907,83x.x1
	PC Interface (9 pin RS232)	804,905,44x.x1	804,905,44x.x1	804,905,44x.x1
11	T-Adapter Assy., Single Price			
	Used with Hi or Lo Level Changers	805,501,14x.x1	805,501,14x.x1	805,501,14x.x1
12	4" Ground Wire			
	All Models	804,902,61x.x1	804,902,61x.x1	804,902,61x.x1

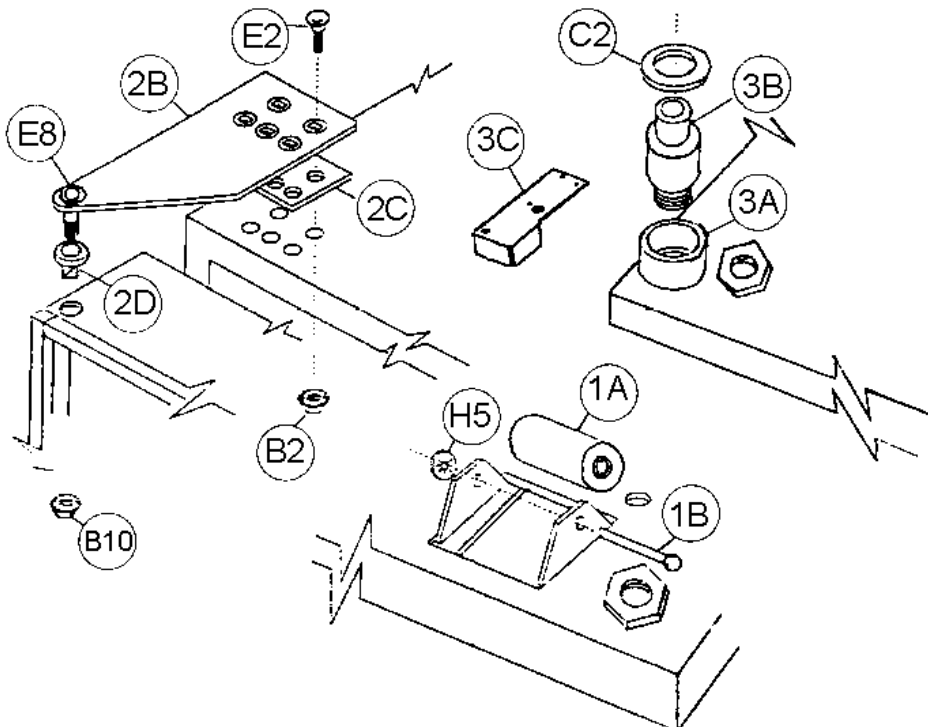
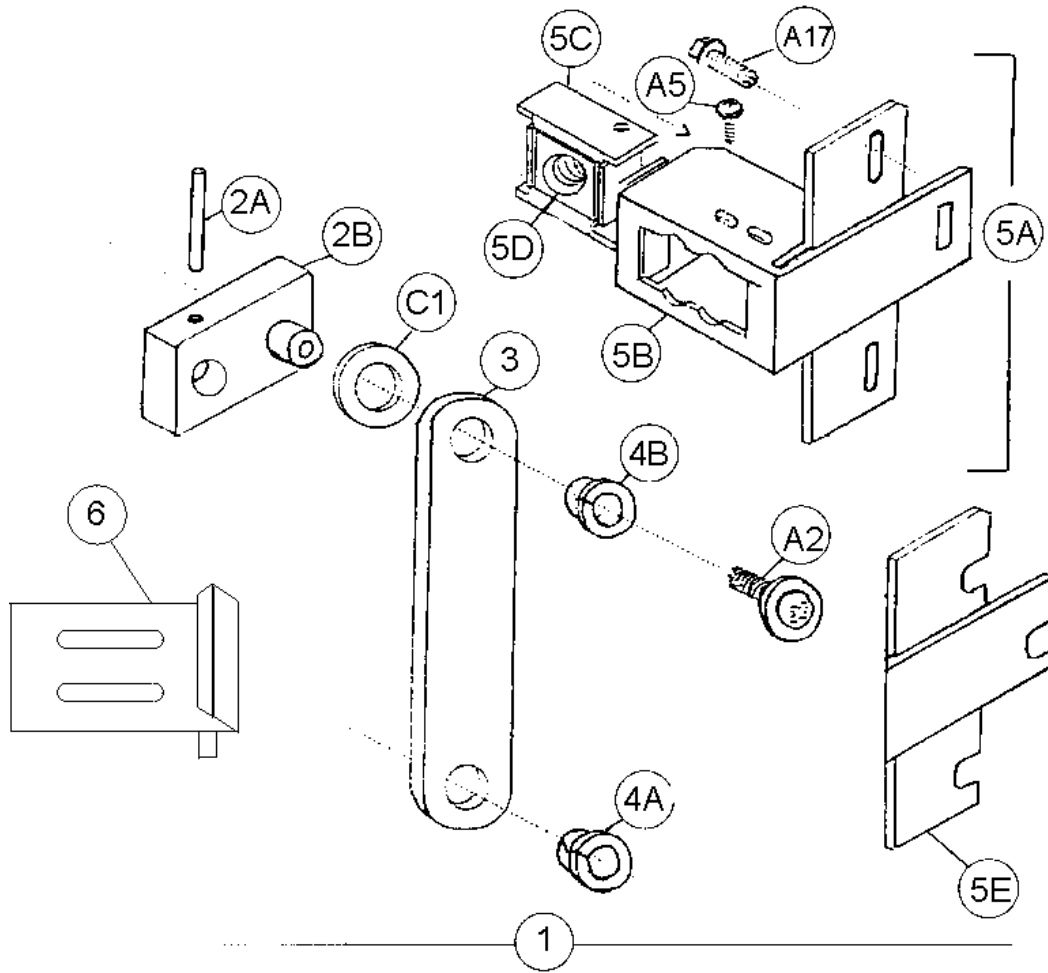
ITEM	DESCRIPTION	DNCB 600E 79" Wide	DNCB 501E 72" Wide	DNCB 276E 72" Narrow
13	Transformer Jumper			
	Coke Only	804,913,85x.x1	804,913,85x.x1	804,913,85x.x1
14	Switch Membrane - Pepsi, Generic Round, FLS - SIID			
	-9 Select	804,912,85x.x1	804,912,85x.x1	NA
	-7 Select	804,913,01x.x1	804,913,01x.x1	804,913,01x.x1
	-10 Select	804,912,84x.x1	804,912,84x.x1	NA
	-8 Select	804,912,86x.x1	804,912,86x.x1	NA
	-6 Select	804,912,87x.x1	804,912,87x.x1	804,912,87x.x1



INNER DOOR

ITEM	DESCRIPTION	DNCB 600E 79" Wide	DNCB 501E 72" Wide	DNCB 276E 72" Narrow
1	Inner Door Assy., Large Port			
	630L 2 Liter Domestic	418,050,40x.x3	NA	NA
	Coke BA50 1 Point Lock	610,050,20x.x3	609,050,90x.x3	615,051,30x.x3
	Pepsi, Generic Round, FLS, RC "L", Dual Display 1 point lock	469,150,60x.x3	470,151,50x.x3	615,051,10x.x3
	Pepsi BA50 1 Point Lock	469,150,70x.x3	470,151,60x.x3	615,051,10x.x3
	Dr. Pepper V4 2 point lock	604,052,00x.x3	604,052,60x.x3	NA
	Dr. Pepper V4 1 point lock	604,058,10x.x3	604,058,00x.x3	619,050,90x.x3
2	Inner Door Gasket			
	All Styles	801,804,07x.x1	801,804,06x.x1	801,804,03x.x1
3	Knob/Clamp			
	A Coke, Pepsi, Generic Round, FLS, RC "L", Dual Display (Knob)	901,501,70x.x1	901,501,70x.x1	901,501,70x.x1
	B Dr. Pepper V4 (Clamp)	901,901,89x.x1	901,901,89x.x1	901,901,89x.x1
4A	Discharge Frame Assy., Large Port			
	630L 2 Liter Domestic	801,812,19x.x1	NA	NA
	All Styles	801,809,16x.x1	801,809,16x.x1	801,809,16x.x1
4B	Retainer Frame, Large Port			
	All Styles	801,809,15x.x1	801,809,15x.x1	801,809,15x.x1
4C	Discharge Door			
	High Security	801,810,88x.x1	801,810,88x.x1	801,810,88x.x1
	2 Liter Domestic 630L	801,812,18x.x1	NA	NA
4D	Discharge Door Ramp 630L 2 Liter Domestic			
		801,812,23x.x1	NA	NA
5A	Inner Door Top Hinge Weld Assy.			
	All Styles	169,053,00x.x3	169,053,00x.x3	169,053,00x.x3
5B	Inner Door Bottom Hinge Weld Assy.			
	All Styles	169,051,10x.x3	169,051,10x.x3	169,051,10x.x3
5C	Plastic Bearing			
	All Styles	901,803,71x.x1	901,803,71x.x1	901,803,71x.x1
6A	Bushing Inner Door			
	All Styles 1 point lock	801,806,42x.x1	801,806,42x.x1	801,806,42x.x1
6B	Bushing Retainer Inner Door			
	All Styles 1 point lock	801,806,43x.x1	801,806,43x.x1	801,806,43x.x1
7	Burst Open Latch #R21180-018			
	Dr. Pepper V4 2 point lock only	801,501,61x.x1	801,501,61x.x1	NA
8A	Seal, Two-Point Lock			
	Dr. Pepper V4 2 point lock only	802,001,26x.x1	802,001,26x.x1	NA
8B	Frame, Two-Point Lock Seal			
	Dr Pepper V4 2 point lock only	594,050,92x.x3	594,050,92x.x3	NA
9	Port Gasket			
	Coke, Pepsi, Generic Round, RC "L", Dual Display	NA	NA	803,600,84x.x1
	FLS	803,600,84x.x1	803,600,84x.x1	803,600,84x.x1
10	Self Adhesive Bumper			
		802,000,33x.x1	802,000,33x.x1	802,000,33x.x1
11	½" x 2" Foam Tape			
		903,600,20x.x1	903,600,20x.x1	903,600,20x.x1
12	Self Adhesive Bumper (Coke Only)			
		802,000,33x.x1	802,000,33x.x1	802,000,33x.x1

ITEM	DESCRIPTION	DNCB 600E 79" Wide	DNCB 501E 72" Wide	DNCB 276E 72" Narrow
A4	Screw, Phil Pan w/out washer #8-18x1/2"		900,301,50x.x1	
A15	Screw, Machine Truss #10-32x1/2"		900,201,14x.x1	
A16	Screw, Phil Pan Sems w/washer #8-18x1/2		900,301,65x.x1	
A34	Screw, Phil Pan #6-20x3/8"		800,303,22x.x1	
B1	Keps Nut, #10-32		900,800,65x.x1	
E3	Carriage Bolt 1/4-20x1 1/4"		900,201,23x.x1	

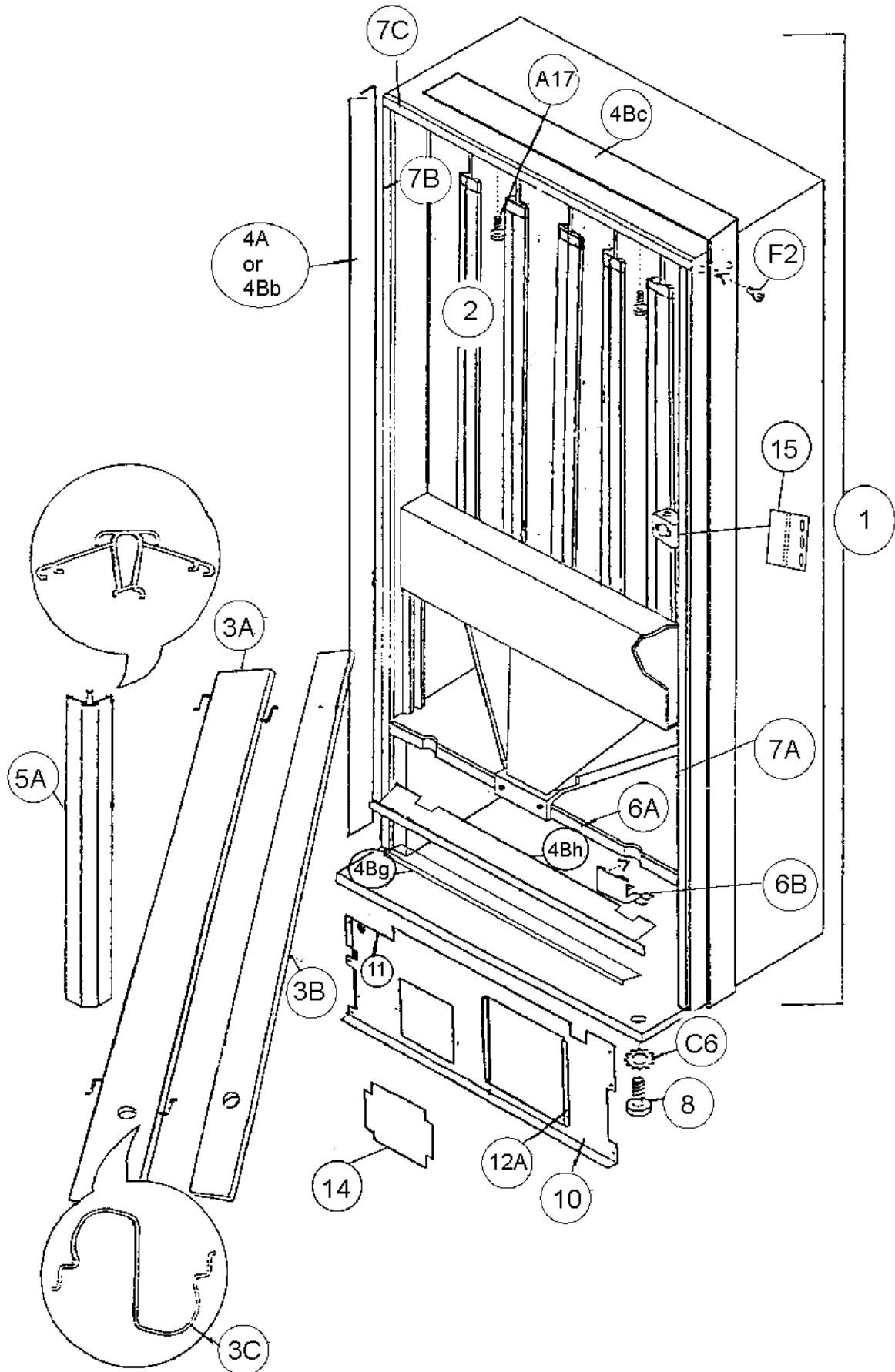


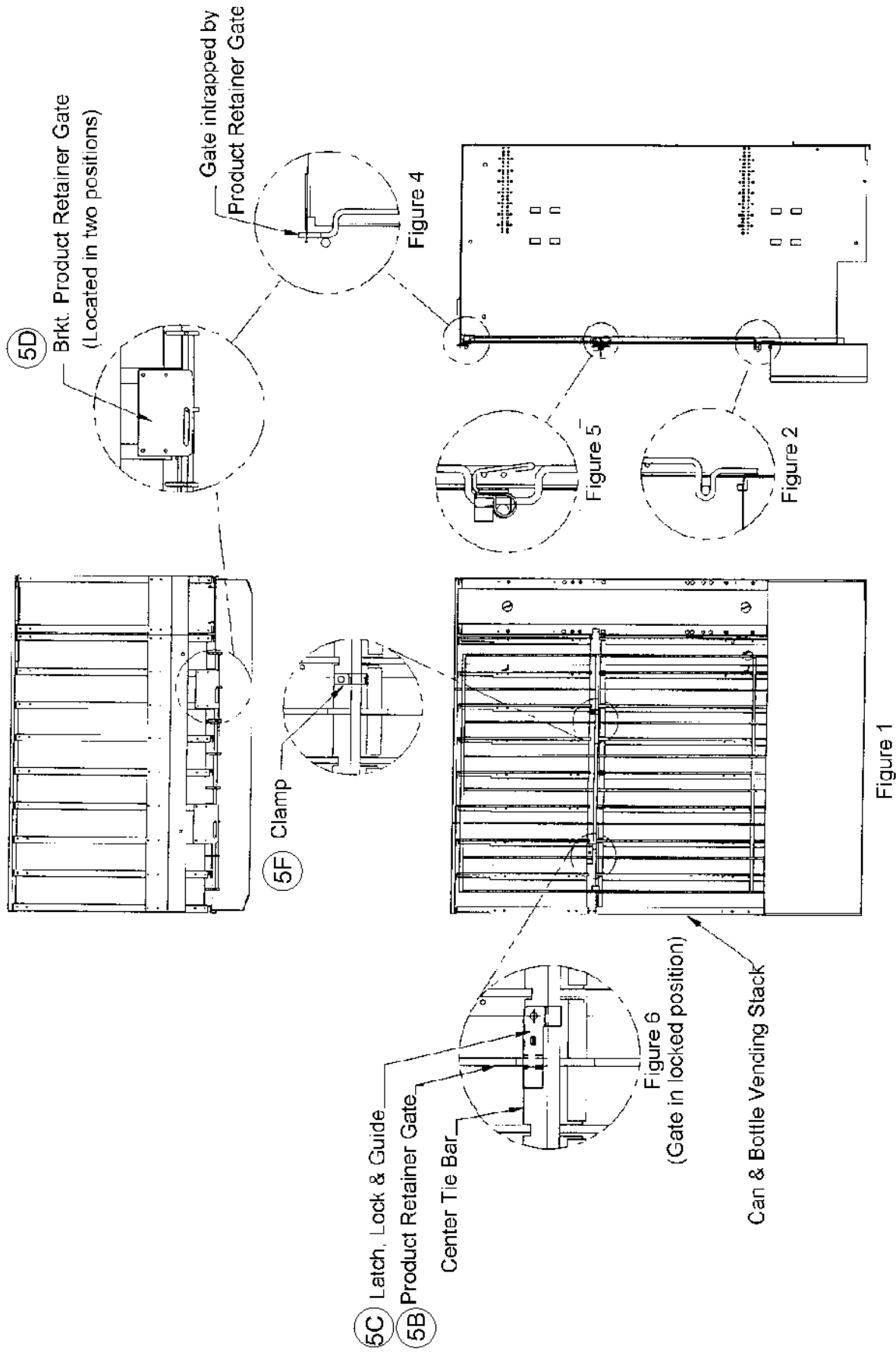
TWO-BAR LINKAGE NUT RETAINER HOUSING

ITEM	DESCRIPTION	DNCB 600E 79" Wide	DNCB 501E 72" Wide	DNCB 276E 72" Narrow
1	Linkage and Drive Arm Assy.			
	All Styles	NA	NA	NA
2A	Groove Pin, 1/8x1 3/16 (30mm) - T2			
	All Styles	900,901,94x.x1	900,901,94x.x1	900,901,94x.x1
2B	Drive Arm (Zinc)			
	All Styles	801,200,95x.x1	801,200,95x.x1	801,200,95x.x1
	630L Only	801,201,62x.x1	NA	NA
2C	Drive Link			
	630L Only	801,201,63x.x1	NA	NA
3	Linkage Arm (Zinc)			
	All Styles	801,201,59x.x1	801,201,59x.x1	801,201,59x.x1
4A	Nyliner, Top			
	All Styles	901,803,16x.x1	901,803,16x.x1	901,803,16x.x1
4B	Nyliner, Bottom			
	All Styles	901,804,77x.x1	901,804,77x.x1	901,804,77x.x1
5A	Assy., Nut Retainer Housing "E" - 1 point lock			
	Coke, Pepsi, Generic Round, RC "L", Dual Display - Standard	609,050,10x.x3	609,050,10x.x3	609,050,10x.x3
	Dr. Pepper V4 1 point lock - Standard	604,057,40x.x3	604,057,40x.x3	NA
	7UP	492,001,20x.x3	492,001,20x.x3	492,001,20x.x3
	One-piece E-model	432,052,50x.x4	432,052,50x.x4	432,052,50x.x4
5B	Traditional Nut Retainer Housing - 1 point lock			
	Coke, Pepsi, Generic Round	432,050,73x.x3	432,050,73x.x3	432,050,73x.x3
	Dr. Pepper V4 1 point lock	604,051,26x.x3	604,051,26x.x3	604,057,40x.x3
5C	Cage Nut Traditional - 1 point lock			
	Coke, Pepsi, Generic Round, RC "L", Dual Display, Dr. Pepper V4	801,303,85x.x1	801,303,85x.x1	801,303,85x.x1
5D	Square Nut, 1/2-13 N.C. - 1 point lock			
	All Styles	900,801,06x.x1	900,801,06x.x1	900,801,06x.x1
5E	Shim, Nut Retainer Housing			
	Dr. Pepper V4 1 point lock	604,051,25x.x3	604,051,25x.x3	604,051,25x.x3
6	Two-Point Lock Latch Strike (Cabinet)			
	Dr. Pepper V4 Only	609,030,08x.x3	609,030,08x.x3	NA
A2	Screw, Phil Pan Swage Form #8-32x1/2"		900,301,64x.x1	
A5	Screw, Phil Pan Swage Form #8-32x1/4"		900,301,97x.x1	
A17	Screw, Type F, 1/4-20x5/8		900,302,01x.x1	
C1	Flat Washer B, Delrin .040 thick 3/8"IDx5/8"OD		900,700,60x.x1	

HINGES AND ROLLER ASSY.

ITEM	DESCRIPTION	DNCB 600E 79" Wide	DNCB 501E 72" Wide
1A	Roller, Main Door		
	All Styles	901,806,20x.x1	901,806,20x.x1
1B	Roller Pin		
	All Styles	900,502,19x.x1	900,502,19x.x1
2A	Assy., Top Hinge (drop in pin) E-Models All Styles		
	s/n 0814-6452 & higher	609,051,40x.x3	609,051,40x.x3
	s/n 0001-6404 to 0814-6452; includes 1304 to 1313-6395, 1750 to 1882-6395, & 0001 to 0020-6453	609,051,30x.x3	609,051,30x.x3
2B	Top Hinge (drop in pin) E-Models All Styles		
	s/n 0814-6452 & higher	801,304,92x.x1	801,304,92x.x1
	s/n 0001-6404 to 0814-6452; includes 1304 to 1313-6395, 1750 to 1882-6395, & 0001 to 0020-6453	801,304,93x.x1	801,304,93x.x1
2C	Top Hinge Spacer		
	All Styles	169,000,15x.x3	169,000,15x.x3
2D	Bearing Sleeve		
	All Styles	805,300,42x.x1	805,300,42x.x1
3A	Bottom Hinge Sleeve		
	All Styles	900,502,64x.x1	900,502,64x.x1
3B	Bottom Hinge Pin		
	All Styles RC "L", Dual Display, Pepsi, Coke, Dr. Pepper V4,	900,502,70x.x1	900,502,70x.x1
	FLS, Generic Round		
3C	Bottom Hinge Assy. Cabinet		
	All Styles RC "L", Dual Display, Pepsi, Coke, Dr. Pepper V4,	801,304,90x.x1	801,304,90x.x1
	FLS, Generic Round		
A9	Screw, Phil Pan Swage Form #8-32x3/8"	900,301,56x.x1	
A15	Screw, Machine Truss #10-32x1/2"	900,201,14x.x1	
A17	Screw, Self Tapping 1/4-20x5/8"	900,302,01x.x1	
B2	Keps Nut, 1/4-20	900,800,67x.x1	
B4	Keps Nut, Top Door Hinge 3/8-16	900,800,69x.x1	
B10	Hex Nut, 5/16-28 Center w/Flange (top hinge - drop in)	900,801,02x.x1	
C2	Flat Washer Door Hinge	901,303,77x.x1	
C10	Washer, Flat 18 Gauge	900,700,83x.x1	
C11	Flat Washer, 14 Gauge 5/16"-3/8"x7/8"	900,700,08x.x1	
E2	Carriage Bolt, 1/4-20x1	900,201,17x.x1	
E6	Carriage Bolt 1/4-20x3/4"	900,201,56x.x1	
E8	Carriage Bolt, 1/4-20x1 1/4 (top hinge - drop in)	900,201,85x.x1	
E9	Carriage Bolt, 1/4-20x5/8"	800,303,19x.x1	
H5	Retainer, Roller Pin	900,900,90x.x1	



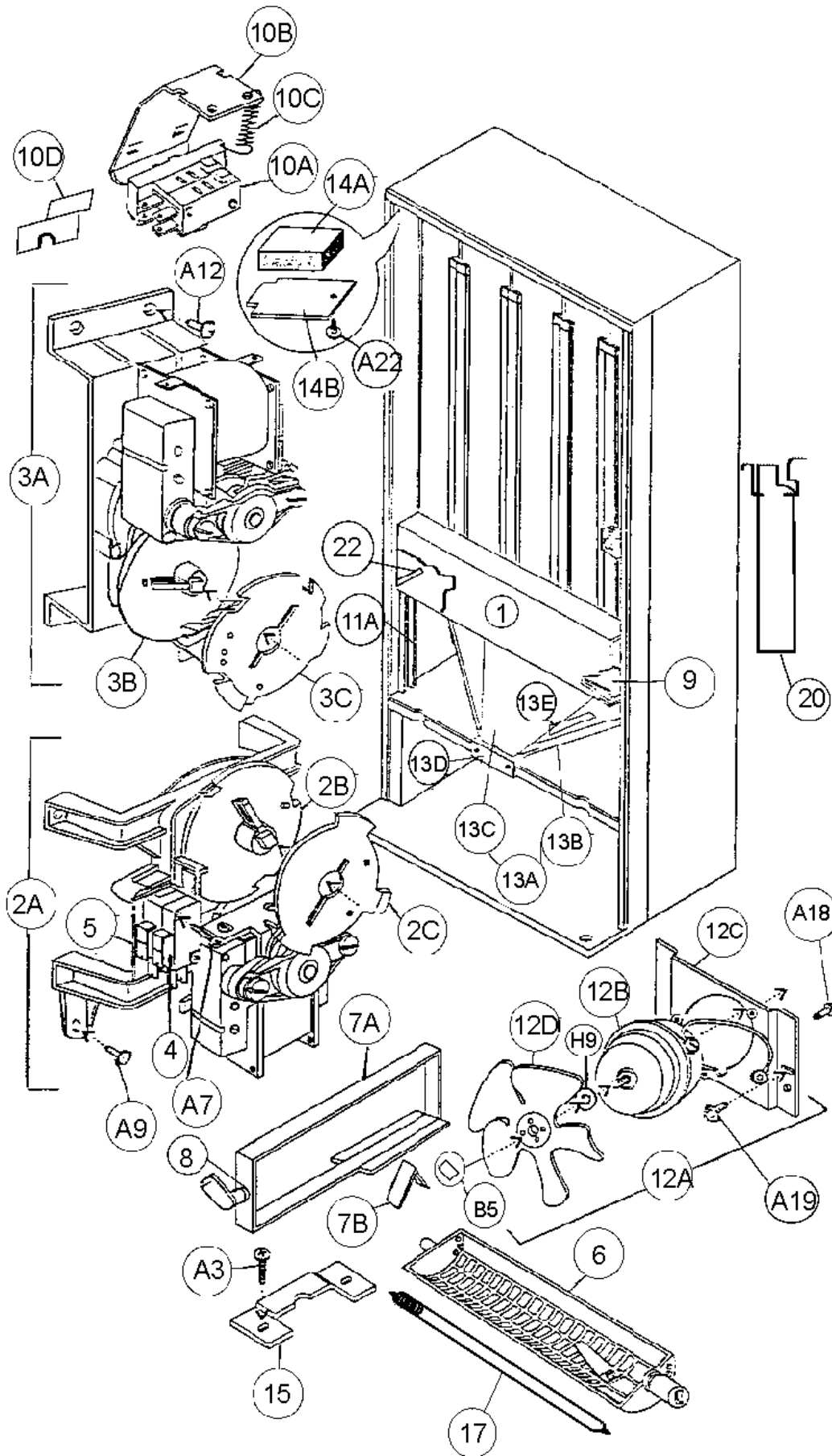


CABINET INTERIOR

ITEM	DESCRIPTION	DNCB 600E 79" Wide	DNCB 501E 72" Wide	DNCB 276E 72" Narrow
1	Foam Cabinet Assy.			
	All Styles 1 point lock, 2 piece prior to 814-6452 (Includes 001 to 020-6453)	610,000,40x.x3	609,000,50x.x3	615,000,20x.x3
	All Styles 2 point lock, 2 piece	610,000,50x.x3	609,000,60x.x3	NA
	630L Only prior to 0001-6462	618,000,00x.x3	NA	NA
	630LE Only s/n 0001-6462 and higher	618,000,10x.x3	NA	NA
	All Styles 1 point lock - extended s/n 814-6452 and higher (except 001 to 020-6453)	610,000,90x.x3	609,001,20x.x3	615,000,60x.x3
2A	Stack Assy.			
	Single Price - Cans	610,070,30x.x3	609,071,00x.x3	NA
	SIID - Cans	610,070,50x.x3	609,071,20x.x3	NA
	Single Price - Bottles	610,070,70x.x3	609,071,40x.x3	NA
	SIID - Bottles	610,070,80x.x3	609,071,50x.x3	NA
	2/4 Price - No Shimming	NA	609,074,20x.x3	NA
	Stack Assy. Single Price - No Shimming	NA	NA	615,070,40x.x3
	Stack Assy. SIID - No Shimming	NA	NA	615,070,00x.x3
	630LE 2 Liter Single Price s/n 0001-6462 and higher	618,071,40x.x3	NA	NA
	630LE 2 Liter SIID s/n 0001-6462 and higher	618,071,50x.x3	NA	NA
	630L 2 Liter Single Price prior to 0001-6462	618,070,20x.x3	NA	NA
	630L 2 Liter SIID prior to 0001-6462	618,071,70x.x3	NA	NA
	Single Price -330 ml Can 4 deep	610,071,60x.x3	609,074,30x.x3	609,074,80x.x3
	SIID -330 ml Can 4 deep	610,071,70x.x3	609,074,40x.x3	609,074,90x.x3
	630L 2 Liter Domestic	618,000,10x.x3	NA	NA
2B	Stack Sub Assy.			
	All Styles	610,070,40x.x3	609,071,10x.x3	615,070,10x.x3
	630L prior to 0001-6462	618,070,30x.x3	NA	NA
	630LE s/n 0001-6462 and higher	618,071,70x.x3	NA	NA
	330 ml Can 4 Deep Single Price	610,071,80x.x3	609,074,50x.x3	609,075,00x.x3
3A	Rear Spacer Assy. Wide Column			
	All Styles	497,073,10x.x3	498,071,30x.x3	NA
3B	Rear Spacer Assy. Narrow Column			
	All Styles	497,073,20x.x3	498,071,40x.x3	498,071,40x.x3
3C	Latch Spring			
	Wide	901,700,88x.x1	901,700,88x.x1	NA
	Narrow	901,700,86x.x1	901,700,86x.x1	901,700,86x.x1
4A	Protective Plate Left Side			
	All Styles	610,000,01x.x3	609,000,01x.x3	609,000,01x.x3
4B	Extensions 1Point Lock (a)			
	Extension Left, Shell (b)	610,000,03x.x3	609,000,04x.x3	609,000,04x.x3
	Extension "L", (right & top), Shell (c)	610,000,02x.x3	609,000,03x.x3	615,000,01x.x3
	Extension Horizontal, Tank (d)	609,000,06x.x3	609,000,06x.x3	615,000,02x.x3
	Extension Vertical Right, Tank (e)	610,000,04x.x3	609,000,05x.x3	609,000,05x.x3
	Extension Vertical Left, Tank (f)	610,000,05x.x3	609,000,07x.x3	609,000,07x.x3
	Extension Mullion (g)	801,809,74x.x1	801,809,74x.x1	801,809,91x.x1
	Extension Mullion Bracket (h)	609,000,08x.x3	609,000,08x.x3	615,000,03x.x3
	Trim, Tank Extension (i)	609,070,42x.x3	609,070,42x.x3	609,070,42x.x3
4C	Foam Extension			
	Foam, Vertical	803,301,06x.x1	803,301,05x.x1	803,301,05x.x1
	Foam, Horizontal	803,301,04x.x1	803,301,04x.x1	803,301,10x.x1
	Foam Mullion	803,301,07x.x1	803,301,07x.x1	803,301,11x.x1

ITEM	DESCRIPTION	DNCB 600E 79" Wide	DNCB 501E 72" Wide	DNCB 276E 72" Narrow
5A	Gate, Plastic Arm			
	16 1/2" (lower) Plastic Double Arm	801,808,48x.x1	801,808,48x.x1	NA
	13" (upper) Plastic Double Arm	NA	801,808,50x.x1	NA
	20" (upper) Plastic Double Arm	801,808,52x.x1	NA	NA
5B	Gate, Wire			
	All Styles	801,401,73x.x1	801,401,72x.x1	801,401,76x.x1
	630L / 630LE	801,401,79x.x1	NA	NA
5C	Wire Gate Latch Lock & Guide			
	All Styles	801,401,77x.x1	801,401,77x.x1	801,401,77x.x1
5D	Wire Gate Bracket Top			
	All Styles	609,070,36x.x3	609,070,36x.x3	609,070,36x.x3
5E	Label - Close Gate			
	All Styles	805,029,45x.x1	805,029,45x.x1	805,029,45x.x1
5F	Clamp, Nylon Cable 1/2"			
	All Styles	900,901,80x.x1	900,901,80x.x1	900,901,80x.x1
6A	Mullion			
	All Styles	801,806,23x.x1	801,806,23x.x1	801,806,28x.x1
6B	Mullion Cover			
	All Styles	801,303,83x.x1	801,303,83x.x1	801,303,83x.x1
7A	Breaker Strip Right			
	All Styles	491,020,15x.x3	492,020,04x.x3	492,020,04x.x3
7B	Breaker Strip Left			
	All Styles	491,020,16x.x3	492,020,05x.x3	492,020,05x.x3
7C	Breaker Strip Top			
	All Styles	491,020,17x.x3	491,020,17x.x3	493,020,06x.x3
8	Leveling Leg 5/8"-11x2 1/16"			
	All Styles	900,502,49x.x1	900,502,49x.x1	900,502,49x.x1
9	Mounting Bracket, Rear			
	All Styles	609,070,24x.x3	609,070,24x.x3	609,070,24x.x3
10	Cabinet Front Stiffener Plate			
	All Styles	594,021,10x.x3	594,021,10x.x3	596,020,20x.x3
11	Trim Access Hole Stiffener			
	All Styles	801,807,10x.x1	801,807,10x.x1	801,807,10x.x1
12A	Protector Edging (4 pieces)			
	4 Pieces All Styles	801,809,46x.x1	801,809,46x.x1	801,809,46x.x1
12B	Caterpillar Grommeting			
	All Styles	801,809,93x.x1	801,809,93x.x1	801,812,07x.x1
13	Loading Platform Assy.			
		609,071,80x.x3	609,071,80x.x3	615,070,50x.x3
13A	Loading Platform			
		801,401,74x.x1	801,401,74x.x1	801,401,47x.x1
13B	Loading Platform Bracket Left			
		609,070,45x.x3	609,070,45x.x3	615,070,09x.x3
13C	Loading Platform Bracket Right			
		609,070,44x.x3	609,070,44x.x3	615,070,09x.x3
13D	Label, Important Loading Rack Support			
		803,855,59x.x1	803,855,59x.x1	803,855,59x.x1
14	Kydex Door			
	All Styles	801,903,34x.x1	801,903,34x.x1	801,903,34x.x1
15	Back Up Plate Nut Retainer Housing "E"			
		609,050,02x.x3	609,050,02x.x3	609,050,02x.x3

ITEM	DESCRIPTION	DNCB 600E 79" Wide	DNCB 501E 72" Wide	DNCB 276E 72" Narrow
A4	Screw, Phil Pan 8-18x1/2		900,301,50x.x1	
A5	Screw, Phil Pan Swage Form #8-32x1/4"		900,301,97x.x1	
A9	Screw, Phil Pan 8-32x3/8		900,301,56x.x1	
A10	Screw, Machine #6-32x1 1/4"		900,201,31x.x1	
A14	Screw, Phil Pan 10-32x1 1/4		900,301,81x.x1	
A16	Screw, Phil Pan Sems 8-18x1/2"		900,301,65x.x1	
A17	Screw, Type F 1/4-20x5/8		900,302,01x.x1	
A19	Screw, Phil Pan 10-32x5/8		900,901,51x.x1	
A21	Screw, Phil Pan 8-18x1/2		900,301,98x.x1	
A26	Screw, Phil Pan 8-18x3/4		800,303,15x.x1	
B2	Keps Nut 1/4"-20		900,800,67x.x1	
C6	Lockwasher, Shakeproof 5/8" (1132-00-00-0551)		900,700,89x.x1	
C8	Washer, Shakeproof (4610-16-01-0551)		900,700,62x.x1	
E9	Carriage Bolt 1/4-20x5/8		800,303,19x.x1	
F1	Pop Rivet, Aluminum 1/4"		901,100,43x.x1	
F5	Pop Rivet, Steel (Zinc Plated) 1/8"		901,100,61x.x1	
F6	Pop Rivet, Aluminum 1/8"		901,100,53x.x1	
H2	Tinnerman Clip, Fan Shroud (C5207-014-3B)		900,901,89x.x1	
H7	Hole Plug, Snap In - 1 1/4		801,807,01x.x1	
I6	Clamp, Nylon 5/16 Black Heyco 3355 or Dennison 10159	900,901,79x.x1		
I7	Clamp, Nylon 1/2" Heyco 3328	900,901,80x.x1		



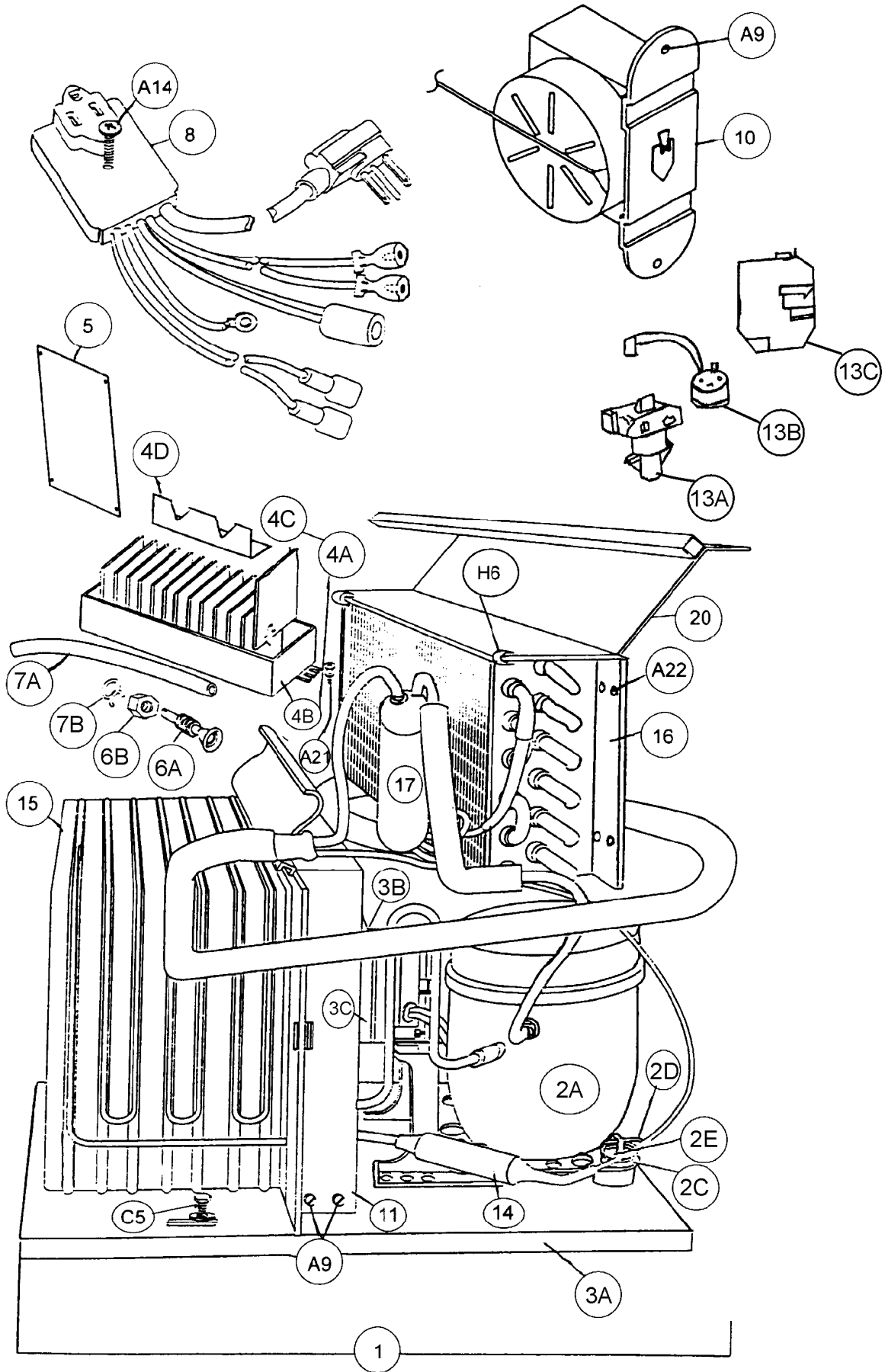
CABINET AND VEND MECHANISM

ITEM	DESCRIPTION	DNCB 600E 79" Wide	DNCB 501E 72" Wide	DNCB 276E 72" Narrow
1	Vend Motor Cover Assy.			
	All Styles	609,070,43x.x3	609,070,43x.x3	615,070,07x.x3
	630L only	618,071,00x.x3	NA	NA
2A	Vend Motor Assy., Wide			
	Single Price	609,070,60x.x3	609,070,60x.x3	NA
	2/4 Price	609,073,30x.x3	609,070,30x.x3	NA
	SIID	609,070,70x.x3	609,070,70x.x3	NA
	630L Single Price	618,070,10x.x3	NA	NA
	630L SIID	618,070,50x.x3	NA	NA
2B	Vend Cam, Wide Column			
	Grey	801,809,80x.x1	801,809,80x.x1	NA
	Brown, 630L	801,806,18x.x1	NA	NA
2C	Adjustable Cam, Wide Column			
	Red	801,809,79x.x1	801,809,79x.x1	NA
	Brown, 630L	801,806,61x.x1	NA	NA
3A	Vend Motor Assy., Narrow			
	Single Price	609,070,80x.x3	609,070,80x.x3	609,070,80x.x3
	2/4 Price	609,073,20x.x3	609,073,20x.x3	609,073,20x.x3
	SIID	609,070,90x.x3	609,070,90x.x3	609,070,90x.x3
3B	Vend Cam, Narrow Column			
	Brown	801,806,18x.x1	801,806,18x.x1	801,806,18x.x1
	Orange - 4 deep	801,810,39x.x1	801,810,39x.x1	801,810,39x.x1
3C	Adjustable Cam, Narrow Column			
	Brown	801,806,61x.x1	801,806,61x.x1	801,806,61x.x1
4	Vend Motor Switch			
	Single Price (double)	804,100,69x.x1	804,100,69x.x1	804,100,69x.x1
	2/4 Price (triple)	804,100,70x.x1	804,100,70x.x1	804,100,70x.x1
	SIID (single)	804,100,73x.x1	804,100,73x.x1	804,100,73x.x1
5	Vend Motor Switch Insulator			
	All Styles	905,800,33x.x1	905,800,33x.x1	905,800,33x.x1
6	Vend Rotor - Narrow Column			
	All Styles	801,201,56x.x1	801,201,56x.x1	801,201,56x.x1
	330 ml x 4 Can, Assy. Rotor	801,201,65x.x1	801,201,65x.x1	801,201,65x.x1
	Gatorade	801,201,66x.x1	801,201,66x.x1	801,201,66x.x1
7A	Vend Oscillator - Wide Column			
	All Styles	801,201,57x.x1	801,201,57x.x1	NA
	630L Only	801,201,64x.x1	NA	NA
	630L 2 Liter Milled	801,201,67x.x1	NA	NA
7B	Package Retainer - Oscillator			
	All Styles	801,807,87x.x1	801,807,87x.x1	NA
8	Nyliner			
	Front Wide Column Only (#8L2-FF)	901,804,23x.x1	901,804,23x.x1	NA
	Rear All Columns	801,803,17x.x1	801,803,17x.x1	801,803,17x.x1
	Green	801,903,77x.x1	801,903,77x.x1	801,903,77x.x1
	White / Black	609,076,00x.x3	609,076,00x.x3	609,076,00x.x3
9	Wire Shield			
	All Styles	267,070,37x.x3	267,070,37x.x3	275,070,11x.x3
10A	Sold-Out Switch Assy.			
	Single Price, 2/4 Price - Xenoy 1731	804,100,68x.x1	804,100,68x.x1	804,100,68x.x1
	SIID (w/ gold cross point) - Xenoy 1731	804,100,75x.x1	804,100,75x.x1	804,100,75x.x1

ITEM	DESCRIPTION	DNCB 600E 79" Wide	DNCB 501E 72" Wide	DNCB 276E 72" Narrow
10B	Sold-Out Paddle			
	Standard	432,070,19x.x3	432,070,19x.x3	432,070,19x.x3
	Special Use Only - E-Models	609,070,19x.x3	609,070,19x.x3	609,070,19x.x3
	Narrow - Special Use Only E-Models	432,070,17x.x3	432,070,17x.x3	432,070,17x.x3
	Large - 630L only	432,070,27x.x3	NA	NA
10C	Sold-Out Paddle Spring			
	All Styles	901,700,74x.x1	901,700,74x.x1	901,700,74x.x1
10D	Sold-Out Switch Retaining Bracket, Slotted			
	All Styles	609,071,49x.x3	609,071,49x.x3	609,071,49x.x3
11A	Mechanism Supports			
	All Models Rear	497,070,01x.x3	497,070,01x.x3	497,070,01x.x3
	All Models Front, Left	609,070,22x.x3	609,070,22x.x3	609,070,22x.x3
	All Models Front, Right	609,070,23x.x3	609,070,23x.x3	609,070,23x.x3
	630L 2 Liter Domestic	618,070,28x.x3	NA	NA
11B	Mechanism Runner			
	Early Models, Right Side Only (prior to 12/5/96)	609,070,34x.x3	609,070,34x.x3	NA
12A	Evaporator Fan Motor Assy.			
	115V	491,000,20x.x3	491,000,20x.x3	491,000,20x.x3
	220-240V	491,140,40x.x3	491,140,40x.x3	491,140,40x.x3
12B	Evaporator Fan Motor			
	115V	609,044,40x.x3	609,044,40x.x3	609,044,40x.x3
	220-240V / 50 Hz	609,044,60x.x3	609,044,60x.x3	609,044,60x.x3
12C	Evaporator Fan Motor Bracket			
	All Styles	164,040,08x.x3	164,040,08x.x3	164,040,08x.x3
12E	Evaporator Fan Blade			
	All Styles (AD775CW32S or FV775CW30S)	801,303,27x.x1	801,303,27x.x1	801,303,27x.x1
13A	Chute Assy., Can/Bottle			
	Standard - s/n 814-6452 & up; except 001 to 020-6453	609,075,30x.x3	609,075,30x.x3	615,070,80x.x3
	Standard - s/n prior to 814-6452; includes 001 to 020-6453	609,071,60x.x3	609,071,60x.x3	615,070,30x.x3
	Chute with Extensions - s/n 814-6452 & up; except 001 to 020-6453	609,075,40x.x3	609,075,40x.x3	615,070,90x.x3
	Chute with Extensions - s/n prior to 814-6452; includes 001 to 020-6453	609,072,50x.x3	609,072,50x.x3	615,070,60x.x3
	630L only (prior to 6462)	618,070,90x.x3	NA	NA
	630L 2 Liter Domestic	609,150,00x.x3	NA	NA
13B	Chute, Can/Bottle			
	All Styles	609,070,25x.x3	609,070,25x.x3	615,070,08x.x3
	630L 2 Liter Domestic	609,071,01x.x3	NA	NA
13C	Chute Liner (Kydex), Can/Bottle			
	All Styles	801,903,26x.x1	801,903,26x.x1	801,903,41x.x1
	630L only (prior to 6462)	618,070,14x.x3	NA	NA
	630L Only 6462 and up	801,903,79x.x1	NA	NA
13D	Chute Bracket			
	All Styles - s/n 814-6452 & up; except 001 to 020-6453	609,070,48x.x3	609,070,48x.x3	609,070,48x.x3
	All Styles - s/n prior to 814-6452; includes 001 to 020-6453	609,070,26x.x3	609,070,26x.x3	609,070,26x.x3
	630L 2 Liter Domestic Chute Bracket Right	594,071,27x.x3	NA	NA
	630L 2 Liter Domestic Chute Bracket Left	594,071,28x.x3	NA	NA
13E	Chute Extension			
	All Styles	609,070,46x.x3	609,070,46x.x3	615,070,11x.x3
13G	630L 2 Liter Deflector Domestic			
		594,071,23x.x3	NA	NA

ITEM	DESCRIPTION	DNCB 600E 79" Wide	DNCB 501E 72" Wide	DNCB 276E 72" Narrow
14A	Foam Block, EPS			
	All Styles	903,300,77x.x1	903,300,77x.x1	903,300,77x.x1
14B	Hinge Pocket Cover			
	All Styles	169,000,13x.x3	169,000,13x.x3	169,000,13x.x3
15	Journal			
	All Styles	176,072,11x.x3	176,072,11x.x3	176,072,11x.x3
	Dual Journal, 630L only	618,070,05x.x3	NA	NA
16	Shims			
	Flat Shim 3/32" (wide column) Waffle	801,812,04x.x1	801,812,04x.x1	NA
	Short Flat Shim 3/32" (wide column)	801,809,81x.x1	801,809,81x.x1	NA
	Can Stop Shim, Right (narrow column)	805,701,14x.x1	805,701,14x.x1	805,701,14x.x1
	Bottle Shim, Right (narrow column)	805,701,15x.x1	805,701,15x.x1	805,701,15x.x1
	Bottle Shim, Right (narrow column) Expose Stiffener	801,304,96x.x1	801,304,96x.x1	801,304,96x.x1
	Angle Shim (wide column)	610,070,06x.x3	610,070,06x.x3	NA
	Angle Shim (narrow column)	609,010,10x.x3	609,010,10x.x3	609,010,10x.x3
	630L Vend Shim 2 Liter	618,070,19x.x3	NA	NA
	630L Loading Shim (1 each side) 2 Liter	618,070,03x.x3	NA	NA
	630L Assy. Shim, Right x.x Liter	618,071,90x.x3	NA	NA
	630L Loading Shim, x.x Liter	618,070,22x.x3	NA	NA
	630L Dual Shim x.x Liter Contour	618,070,27x.x3	NA	NA
	Rotor Shim 330 ml x 4	801,305,21x.x1	801,305,21x.x1	801,305,21x.x1
	Shim 330 ml x 4 Can, Narrow Column	609,070,53x.x3	609,070,53x.x3	609,070,53x.x3
	Can Stop Shim, 330 ml (3 deep)	609,070,71x.x3	609,070,71x.x3	609,070,71x.x3
	Shim 25 cl x 4 Can, Narrow Column	609,070,56x.x3	609,070,56x.x3	609,070,56x.x3
	Bottom Shim, Exposed Stiffener Extended Lip	609,070,65x.x3	609,070,65x.x3	609,070,65x.x3
	Flat Shim 3/32 Large Product	801,811,05x.x1	801,811,05x.x1	801,811,05x.x1
	Shim Back	609,071,02x.x3	609,071,02x.x3	609,071,02x.x3
	Dual Extended Shim Assy., 630L	618,072,20x.x3	618,072,20x.x3	618,072,20x.x3
	630L Assy. Shim Right x.x Liter Contour Korea	618,072,30x.x3	618,072,30x.x3	618,072,30x.x3
	Can Stop Shim Long Lip	609,070,64x.x3	609,070,64x.x3	609,070,64x.x3
17	Rod and Spring Assy. (narrow column)			
	All Styles	800,503,00x.x1	800,503,00x.x1	800,503,00x.x1
18	Tubes for Rod and Springs			
	Red	801,903,23x.x1	801,903,23x.x1	801,903,23x.x1
	Yellow	801,903,25x.x1	801,903,25x.x1	801,903,25x.x1
	White	801,903,24x.x1	801,903,24x.x1	801,903,24x.x1
19	Oscillator, Paddle Extension w/bottle stop			
	All Styles for advised set-up	324,010,21x.x3	324,010,21x.x3	NA
20	Bottle Divider			
	All Styles for advised set-up	801,903,73x.x1	801,903,72x.x1	801,903,72x.x1
21	Duct, Front			
	Coke Only	801,903,37x.x1	801,903,37x.x1	801,903,44x.x1
22	Trim, Vend Motor Cover			
	All Styles	801,807,85x.x1	801,807,85x.x1	801,807,85x.x1
23	Bottle Neck Guide Assy. (630L only)			
		618,071,10x.x3	NA	NA
24	Label – Notice 4 Deep Stack Loading 330ml x 4 Can			
		803,856,06x.x1	803,856,06x.x1	803,856,06x.x1

ITEM	DESCRIPTION	DNCB 600E 79" Wide	DNCB 501E 72" Wide	DNCB 276E 72" Narrow
A3	Screw, Phil Pan 10-32x5/16"		900,301,83x.x1	
A6	Screw, Vend Motor #4-24x3/4" (Single Switch)		900,300,47x.x1	
A7	Screw, Vend Motor #4-24x1 1/16" (Double Switch)		900,301,82x.x1	
A8	Screw, Vend Motor #4-24x1 1/2" (Triple Switch)		900,301,61x.x1	
A9	Screw, Phil Pan 8-32x3/8		900,301,56x.x1	
A12	Screw, Phil Thread 8-32x5/8		900,301,85x.x1	
A18	Screw, Hex Head 8-36x3/8"		900,301,69x.x1	
A19	Screw, Phil Pan 10-32x5/8"		900,901,51x.x1	
A22	Screw, Phil Pan 8-18x1/2"		900,301,84x.x1	
A32	Screw, Hex Washer Type 1 #8-32x3/8"		900,303,08x.x1	
B5	Speed Nut		900,800,85x.x1	
F5	Pop Rivet, Steel (Zinc Plated) 1/8"		901,100,61x.x1	
F6	Pop Rivet, Aluminum 1/8"		901,100,53x.x1	
F7	Pop Rivet, Steel (Zinc Plated) 3/16"		901,100,60x.x1	
H3	Grommet, Bk. Rubber #97		900,401,09x.x1	
H9	Silencer		902,100,29x.x1	
I11	Clamp, Nylon 3/4" Heyco 3382BL		901,900,55x.x1	



REFRIGERATION SYSTEM

ITEM	DESCRIPTION	DNCB 600E 79" Wide	DNCB 501E 72" Wide	DNCB 276E 72" Narrow
1	Complete Refrigeration System			
	All Styles Domestic	609,040,10x.x3	609,040,10x.x3	609,040,10x.x3
	1/3 HP 220-240/50 "E" (1222B-E IEC)	609,040,20x.x3	609,040,20x.x3	609,040,20x.x3
	1/3 HP 220-240/50 "E" (1222B-E AUS)	609,040,30x.x3	609,040,30x.x3	609,040,30x.x3
	1/3 HP 220-240/50 "E" (1222B-E GEN)	609,040,40x.x3	609,040,40x.x3	609,040,40x.x3
2A	Compressor			
	FFI12HBX 115/60 1/3 HP	802,501,74x.x1	802,501,74x.x1	802,501,74x.x1
	FFI12HBK 220/50 1/3 HP	802,502,17x.x1	802,502,17x.x1	802,502,17x.x1
2B	Compressor Lead Harness			
	115/60 (1202CB-E)	904,900,61x.x1	904,900,61x.x1	904,900,61x.x1
	Europe (1222B-E IEC)	804,905,32x.x1	804,905,32x.x1	804,905,32x.x1
	IECA (1222B-E AUS)	804,904,49x.x1	804,904,49x.x1	804,904,49x.x1
	220/50 (1222B-E GEN)	904,900,61x.x1	904,900,61x.x1	904,900,61x.x1
2C	Compressor Mounting Grommet			
	All Styles	902,000,57x.x1	902,000,57x.x1	902,000,57x.x1
2D	Compressor Mounting Clip			
	All Styles	900,901,88x.x1	900,901,88x.x1	900,901,88x.x1
2E	Compressor Grommet Plug, Plastic			
	All Styles	901,803,91x.x1	901,803,91x.x1	901,803,91x.x1
3A	Condenser Base Plate			
	All Styles	491,040,25x.x3	491,040,25x.x3	491,040,25x.x3
3B	Condenser Fan Motor Assy.			
	115/60	491,040,20x.x3	491,040,20x.x3	491,040,20x.x3
	220/50	491,140,30x.x3	491,140,30x.x3	491,140,30x.x3
3C	Condenser Fan Motor Bracket ("A" Frame)			
	115/60	804,500,67x.x1	804,500,67x.x1	804,500,67x.x1
	220/50	804,500,70x.x1	804,500,70x.x1	804,500,70x.x1
3D	Condenser Fan Blade			
	All Styles FY870CW25S	800,103,37x.x2	800,103,37x.x2	800,103,37x.x2
4A	Drain Pan Assy. w/ Fiberglass Soakers			
	All Styles	491,000,10x.x3	491,000,10x.x3	491,000,10x.x3
4B	Drain Pan, Plastic w/ Fingers			
	All Styles	801,804,24x.x1	801,804,24x.x1	801,804,24x.x1
4C	Soakers, Fiberglass (14 required)			
	All Styles	905,800,69x.x1	905,800,69x.x1	905,800,69x.x1
4D	Drain Pan Clamp			
	All Styles	594,000,06x.x3	594,000,06x.x3	594,000,06x.x3
5	Rear Condensate Plate			
	All Styles	801,903,52x.x1	801,903,52x.x1	801,903,52x.x1
6A	Drain Tube			
	All Styles	801,806,05x.x1	801,806,05x.x1	801,806,05x.x1
6B	Drain Tube Nut			
	All Styles	900,301,79x.x1	900,301,79x.x1	900,301,79x.x1
7A	Drain Hose			
	All Styles	901,900,50x.x1	901,900,50x.x1	901,900,50x.x1
7B	Drain Hose Clamp			
	All Styles	900,901,03x.x1	900,901,03x.x1	900,901,03x.x1

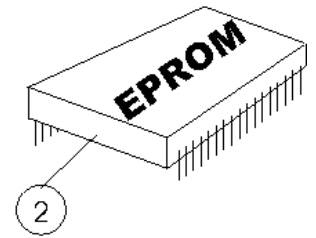
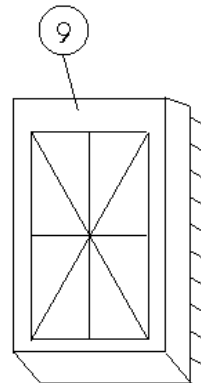
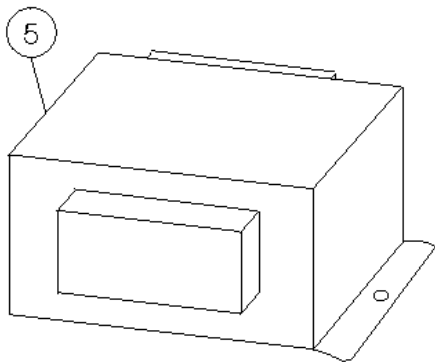
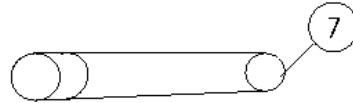
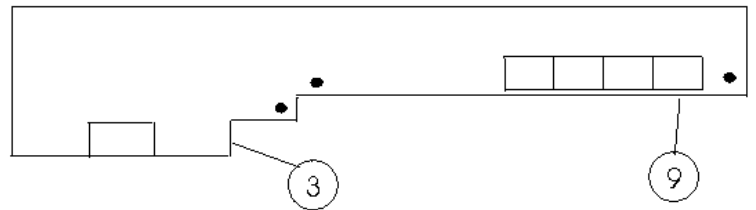
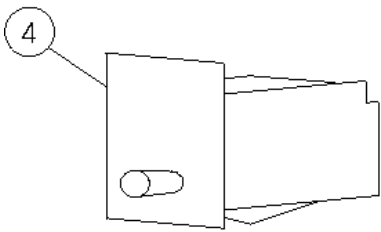
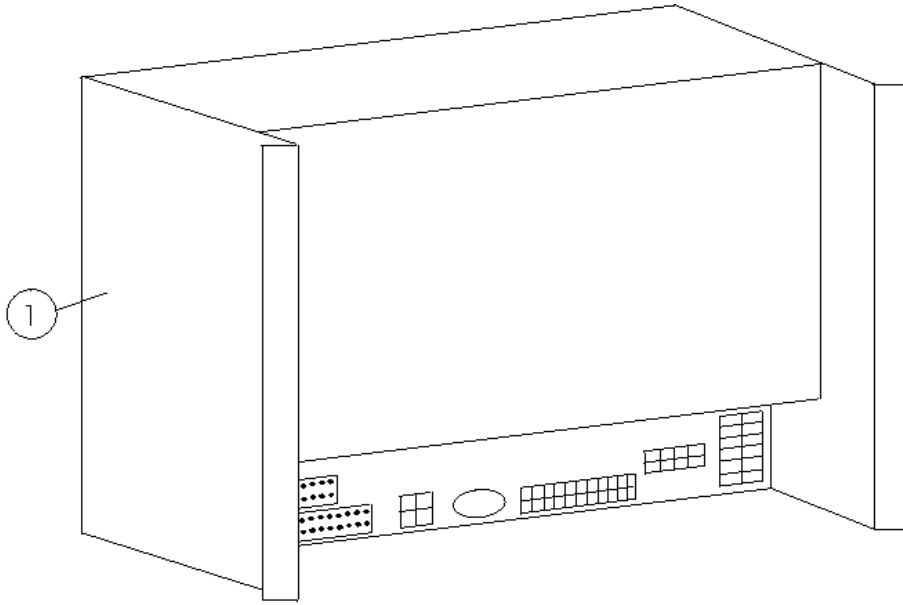
ITEM	DESCRIPTION	DNCB 600E 79" Wide	DNCB 501E 72" Wide	DNCB 276E 72" Narrow
8	Main Wiring Harness			
	United States & Mexico	804,902,22x.x1	804,902,22x.x1	804,902,22x.x1
	Australia / New Zealand	804,912,58x.x1	804,912,58x.x1	804,912,58x.x1
	United Kingdom, Ireland, IEC 335	804,905,49x.x1	804,905,49x.x1	804,905,49x.x1
	Europe, Italy, Korea, & France (Schuko)	804,902,16x.x1	804,902,16x.x1	804,902,16x.x1
	Denmark, IEC 335	804,905,47x.x1	804,905,47x.x1	804,905,47x.x1
	Germany, Spain, Italy, France, Holland, Poland, Switzerland and Greece w/ splashwater protector (Schuko)	804,905,36x.x1	804,905,36x.x1	804,905,36x.x1
	Main Wire Harness Domestic 10 Ft Limit E's & T's Only	804,915,14x.x1	804,915,14x.x1	804,915,14x.x1
	Australia 4 Meter Power	804,916,21x.x1	804,916,21x.x1	804,916,21x.x1
	9	Fan Housing Assy.		
Double		497,040,10x.x3	497,040,10x.x3	NA
Narrow		NA	NA	493,040,10x.x3
10	Temperature Control			
	All Styles	802,800,50x.x1	802,800,50x.x1	802,800,54x.x1
11	Condenser Fan Shroud			
	All Styles	491,040,11x.x3	491,040,11x.x3	491,040,11x.x3
12	Relay			
	Domestic Models Embraco x.x5x.x05	See 13	See 13	See 13
13	Overload – Relay Cover Assy.			
	Domestic	802,501,77x.x1	802,501,77x.x1	802,501,77x.x1
13A	Relay			
	Domestic Models TIMRT22AFZ-5598 (FOR 1/3 HP)	802,502,13x.x1	802,502,13x.x1	802,502,13x.x1
13B	Overload			
	Domestic Models	802,502,10x.x1	802,502,10x.x1	802,502,10x.x1
13C	Cover			
	All	802,501,86x.x1	802,501,86x.x1	802,501,86x.x1
14	Dryer			
	All Styles .054 Outlet 4AXH7	802,401,29x.x1	802,401,29x.x1	802,401,29x.x1
15	Condenser			
	All Styles "B" 1/3 HP	802,600,55x.x1	802,600,55x.x1	802,600,55x.x1
16	Evaporator (short)			
	CW01655 (1/3 HP)	802,600,37x.x1	802,600,37x.x1	802,600,37x.x1
17	Accumulator			
	1/3 HP	802,400,46x.x1	802,400,46x.x1	802,400,46x.x1
18A	Capacitor, Start			
	Domestic, 233-280MFD / 115V 60 Hz (FOR 1/3 HP)	802,501,21x.x1	802,501,21x.x1	802,501,21x.x1
18B	Capacitor, End Cap Bottom Hole			
	Domestic	802,501,18x.x1	802,501,18x.x1	802,501,18x.x1
18C	Capacitor Assembling Bracket			
	Domestic	802,501,87x.x1	802,501,87x.x1	802,501,87x.x1
19	Cover, Embraco			
	x.x5x.x04 Short (Domestic) – 1/3 HP	802,501,86x.x1	802,501,86x.x1	NA
	x.x5x.x00 Long (220/50) – 1/3 HP	802,501,95x.x1	802,501,95x.x1	NA
20	Top Evaporator Cover			
		609,050,06x.x3	609,050,06x.x3	615,050,14x.x3

ITEM	DESCRIPTION	DNCB 600E 79" Wide	DNCB 501E 72" Wide	DNCB 276E 72" Narrow
A9	Screw, Phil Pan 8-32x3/8		900,301,56x.x1	
A16	Screw, Phil Pan Sems w/ Washer #8-18x1/2"		900,301,65x.x1	
A18	Screw, Hex Head 8-36x3/8"		900,301,69x.x1	
A21	Screw, Phil Pan Shoulder #8-18x17/32"		900,301,98x.x1	
A22	Screw, Phil Pan #8-18x1/2		900,301,84x.x1	
A28	Screw, Phil Flat 10-32x1/2		900,301,94x.x1	
A29	Screw, Machine Brass 6-32x1/4		900,201,44x.x1	
B5	Speed Nut		900,800,85x.x1	
C5	Lock Washer, Split 3/8"		900,700,36x.x1	
E1	Refrigeration Bolt 3/8-16x1"		900,400,44x.x1	
F6	Pop Rivet, Aluminum 1/8"		901,100,53x.x1	
H2	Tinnerman Clip, Fan Shroud		900,901,89x.x1	
H6	Tinnerman Clip		900,902,18x.x1	
H8	Grommet, Admiral #B53351		901,806,77x.x1	
H9	Silencer		902,100,29x.x1	
I11	Clamp, Nylon 3/4" Heyco 3382BL		901,900,55x.x1	
I12	Cable Tie, 5 1/2"		901,902,83x.x1	

DOMESTIC SIGNS & SIDE DECALS

(Contact Parts Department for any not listed)

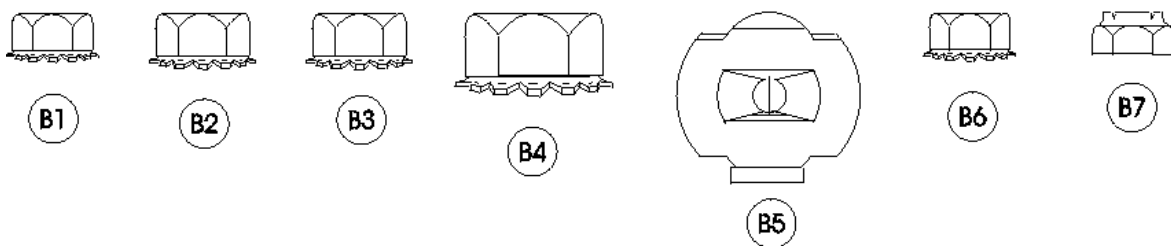
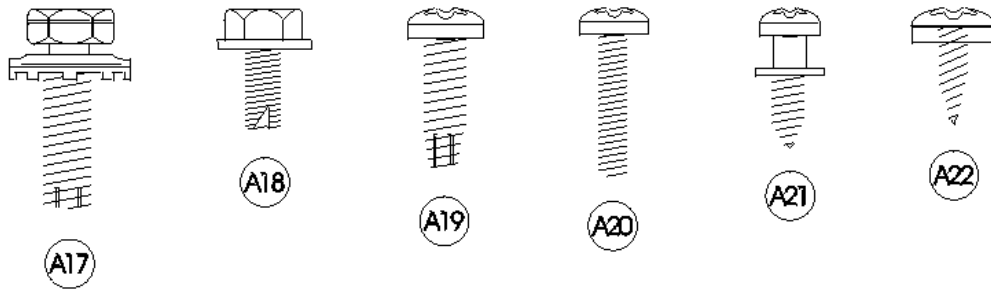
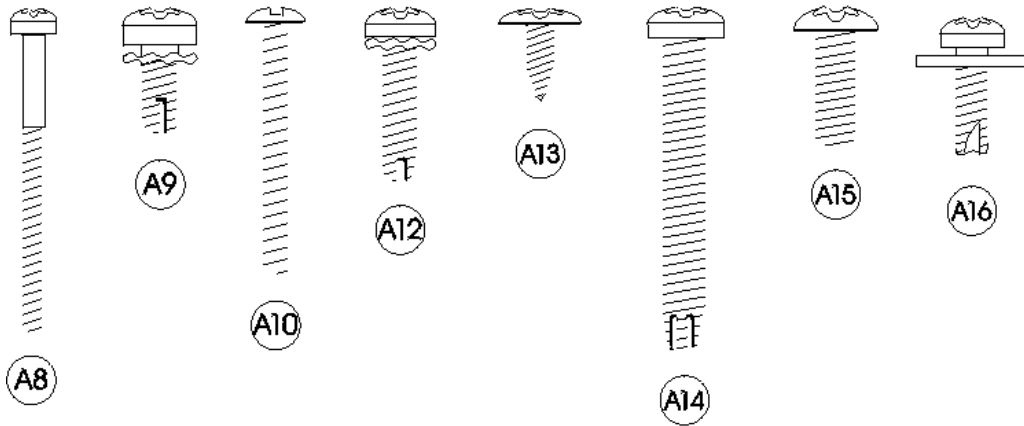
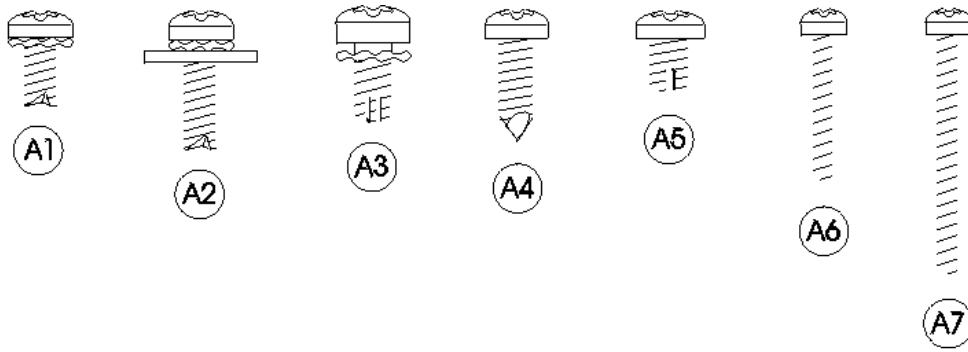
ITEM	DESCRIPTION	DNCB 600E 79" Wide	DNCB 501E 72" Wide	DNCB 276E 72" Narrow
1A	Coke Signs			
	All Styles "Can"	805,028,23x.x1	805,028,22x.x1	805,024,27x.x1
	Coca-Cola Contour Bottle On Water (BOW)	805,028,26x.x1	805,028,25x.x1	805,028,29x.x1
	Coke Steel Door Sign (No Decal)	612,050,06x.x3	609,050,09x.x3	567,050,01x.x3
1B	Coke Side Decals			
	Coca-Cola (Drink Coke)	803,859,22x.x1	803,859,21x.x1	803,859,21x.x1
	Coca-Cola	803,822,24x.x1	803,822,25x.x1	803,822,25x.x1
	Coca-Cola COI Steel Sign Decal	803,859,17x.x1	803,859,16x.x1	NA
	Coca-Cola BOI Steel Sign Decal	803,859,15x.x1	803,859,14x.x1	803,859,13x.x1
2A	Pepsi Sign			
	Pepsi-Cola Blue (Domestic)	805,022,91x.x1	805,022,88x.x1	805,022,85x.x1
	Pepsi Steel Door Sign (No Decal)	610,050,03x.x3	592,051,06x.x3	615,050,15x.x3
2B	Pepsi Side Decals			
	Pepsi Domestic	803,851,53x.x1	803,851,52x.x1	803,851,47x.x1
	Pepsi Steel Door Sign Decal (Can)	803,851,26x.x1	803,851,27x.x1	NA
	Pepsi Steel Door Sign Decal (Bottle)	803,851,54x.x1	803,851,55x.x1	NA
3A	Generic Round Signs			
	Cold Drink Domestic Int'l Black	NA	805,019,46x.x1	NA
	Cold Drink Can On Ice (COI)	805,018,84x.x1	805,017,62x.x1	805,022,45x.x1
	Cold Drink Domestic Swirl	805,018,85x.x1	805,019,94x.x1	NA
3B	Generic Round Decals			
	Cold Drink Black	NA	803,834,40x.x1	803,834,40x.x1
	Cold Drink Brown	NA	803,834,41x.x1	803,834,41x.x1
4A	Dr. Pepper V4 Signs			
	BOI Proprietary 9/96 SIID -9	805,019,34x.x1	805,019,42x.x1	NA
	BOI Proprietary 11/96 Single Price -9	805,019,21x.x1	805,019,19x.x1	NA
	COI 9/96 SIID-9	805,019,12x.x1	805,019,16x.x1	NA
	COI 5/96 Single Price -9	805,019,13x.x1	NA	NA
	SW BOI 11/96 SIID-9	805,018,79x.x1	805,018,97x.x1	NA
	SW BOI 9/96 Single Price 09	805,019,18x.x1	805,018,98x.x1	NA
4B	Dr. Pepper V4 Decals			
	COI	803,848,41x.x1	803,848,36x.x1	NA
	BOI Proprietary	803,848,32x.x1	803,848,37x.x1	NA
	SW BOI	803,847,75x.x1	803,848,38x.x1	NA
	"Confetti"	803,848,34x.x1	803,848,35x.x1	NA



SIID COMPONENTS / MISC. LABELS

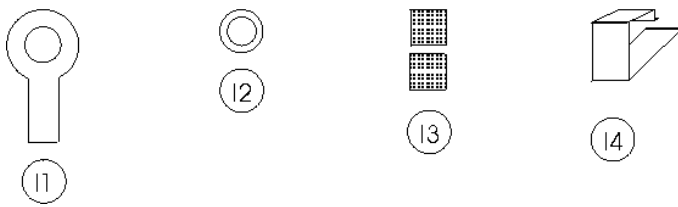
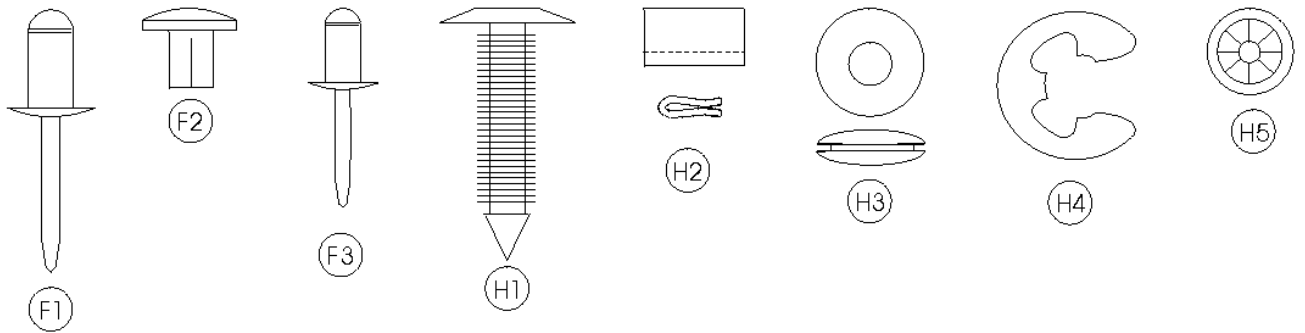
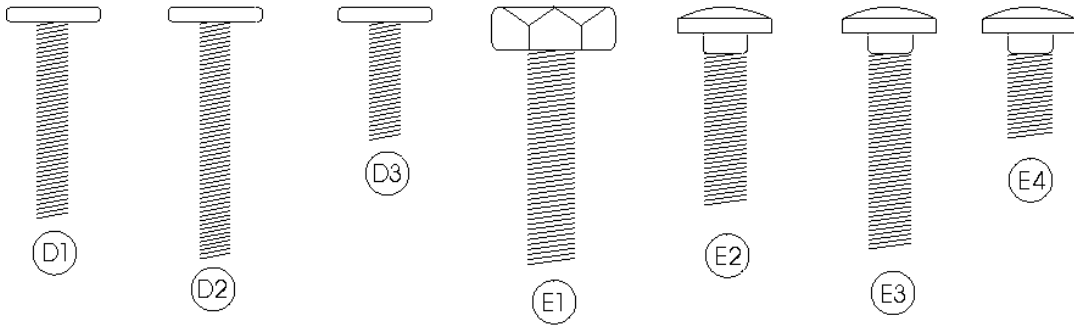
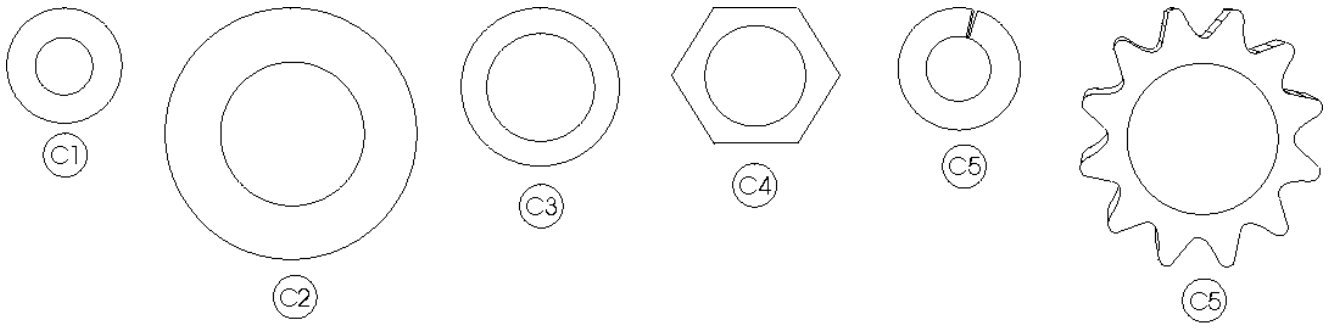
ITEM	DESCRIPTION	DNCB 600E 79" Wide	DNCB 501E 72" Wide	DNCB 276E 72" Narrow
1	SIID Controller			
	2 Button Programming	804,910,98x.x1	804,910,98x.x1	804,910,98x.x1
	4 Button Programming	804,911,83x.x1	804,911,83x.x1	804,911,83x.x1
	4 Button Programming (Australia Only)	804,911,98x.x1	804,911,98x.x1	804,911,98x.x1
2	SIID Controller Software (EPROM)			
	2 Button Programming	804,911,38x.x1	804,911,38x.x1	804,911,38x.x1
	4 Button Programming EVS 2.2	804,911,39x.x1	804,911,39x.x1	804,911,39x.x1
	4 Button Programming (Australia Only)	804,911,50x.x1	804,911,50x.x1	804,911,50x.x1
	4 Button Programming Pre-EVS 2.2	804,916,23x.x1	804,916,23x.x1	804,916,23x.x1
3	SIID Display Board Assy.			
	VRV 14-Segment (All Models)	804,910,96x.x1	804,910,96x.x1	804,910,96x.x1
4	SIID Door Switch			
	All Styles	804,100,77x.x1	804,100,77x.x1	804,100,77x.x1
5A	SIID Transformer			
	All Styles	804,909,80x.x1	804,909,80x.x1	804,909,80x.x1
5B	Transformer Cover			
	(CE) 10.78x10.072	572,050,49x.x3	572,050,49x.x3	572,050,49x.x3
6	Labels			
	Press Selection to Display Price	903,835,15x.x1	903,835,15x.x1	903,835,15x.x1
	Press Selection to Display Price or Sold-Out	803,902,55x.x1	803,902,55x.x1	803,902,55x.x1
	Price	903,828,82x.x1	903,828,82x.x1	903,828,82x.x1
	Coin Mech	903,901,30x.x1	903,901,30x.x1	903,901,30x.x1
	2 Button Programming (English)	803,842,85x.x1	803,842,85x.x1	803,842,85x.x1
	4 Button Programming (English) Pre EVS 2.2	903,854,06x.x1	903,854,06x.x1	903,854,06x.x1
	4 Button Programming French Canadian	803,856,18x.x1	803,856,18x.x1	803,856,18x.x1
	2 Button Programming French Canadian	803,858,28x.x1	803,858,28x.x1	803,858,28x.x1
	4 Button Programming (English) - EVS 2.2	803,857,71x.x1	803,857,71x.x1	803,857,71x.x1
	Package Set-Up Guide Domestic (Non Coke)	803,849,11x.x1	803,849,11x.x1	803,849,11x.x1
	Coke Package Setup Guide (Domestic & Canada)	803,858,64x.x1	803,858,64x.x1	803,858,64x.x1
	E-Model DNCB Veryfine Package Set-Up Guide	803,857,72x.x1	803,857,72x.x1	803,857,72x.x1
	E-Model DNCB Export Package Set-Up Guide	803,857,93x.x1	803,857,93x.x1	803,857,93x.x1
	Package Setup Guide CCSB	803,852,88x.x1	803,852,88x.x1	803,852,88x.x1
	Package Setup Guide Portuguese	803,856,13x.x1	803,856,13x.x1	803,856,13x.x1
	Close Gate Sign	805,029,45x.x1	805,029,45x.x1	805,029,45x.x1
	Warning: Do Not Tilt	803,843,64x.x1	803,843,64x.x1	803,843,64x.x1
	134A Removable Substance	903,833,54x.x1	903,833,54x.x1	903,833,54x.x1
	Coin Mechanism (Single Price)	903,901,29x.x1	903,901,29x.x1	903,901,29x.x1
	Money Removed Daily	903,805,70x.x1	903,805,70x.x1	903,805,70x.x1
	Coke Validator Opening Instructions (Domestic)	803,822,94x.x1	803,822,94x.x1	803,822,94x.x1
	Power Disconnect, Warning	803,857,01x.x1	803,857,01x.x1	803,857,01x.x1
	Power Supply Cord Label	803,834,65x.x1	803,834,65x.x1	803,834,65x.x1
	Skid Removal	903,828,70x.x1	903,828,70x.x1	903,828,70x.x1
	Coke Product Label	803,843,43x.x1	803,843,43x.x1	803,843,43x.x1
	Price Label	803,843,44x.x1	803,843,44x.x1	803,843,44x.x1
Non SII Price Label VRV	803,836,16x.x1	803,836,16x.x1	803,836,16x.x1	

ITEM	DESCRIPTION	DNCB 600E 79" Wide	DNCB 501E 72" Wide	DNCB 276E 72" Narrow
	Coin Mechanism	903,901,29x.x1	903,901,29x.x1	903,901,29x.x1
	Fuses F1-x.xA, F2-6A, F3-1A	803,843,91x.x1	803,843,91x.x1	803,843,91x.x1
	Mercury Notice Label	803,860,56x.x1	803,860,56x.x1	803,860,56x.x1
	Notice - No Refund Label	803,860,53x.x1	803,860,53x.x1	803,860,53x.x1
7	Fuses			
	x.x Amp Slow Blow Fuse	804,800,71x.x1	804,800,71x.x1	804,800,71x.x1
	1 Amp Slow Blow Fuse	804,800,72x.x1	804,800,72x.x1	804,800,72x.x1
	4 Amp Rapid Blow Fuse	804,908,08x.x1	804,908,08x.x1	804,908,08x.x1
	6 Amp Fast Acting Fuse	804,910,93x.x1	804,910,93x.x1	804,910,93x.x1
8	SIID Control Board Curtain			
		801,903,38x.x1	801,903,38x.x1	801,903,38x.x1
9	Display Segment Character -14 Segment			
		804,912,79x.x1	804,912,79x.x1	804,912,79x.x1
10	Wiring Diagram			
	Single Price Coke	803,847,86x.x1	803,847,86x.x1	803,848,68x.x1
	Single Price Pepsi, 7UP, Dr. Pepper V4, Generic	803,847,87x.x1	803,847,87x.x1	803,848,69x.x1
	SIID Coke	803,852,49x.x1	803,852,49x.x1	803,848,71x.x1
	SIID Pepsi, 7UP, Dr. Pepper V4, Generic	803,852,51x.x1	803,852,51x.x1	803,848,72x.x1
	SIID Pepsi, 7UP, Generic Membrane	803,902,81x.x1	803,902,81x.x1	803,902,85x.x1
11	Installation Set-Up Guide			
	All Styles	903,901,60x.x1	903,901,60x.x1	903,901,60x.x1



SCREWS & NUTS

ITEM	PART NUMBER	PART NAME AND DESCRIPTION
A1	900,301,70x.x1	Screw, Phil Pan Swage Form #6 - 32 x 3/8"
A2	900,301,64x.x1	Screw, Phil Pan Swage Form w/washer #8 - 32 x 1/2"
A3	900,301,83x.x1	Screw, Phil Pan Swage Form #10 - 32 x 5/16"
A4	900,301,50x.x1	Screw, Phil Pan w/out washer, #8 - 18 x 1/2"
A5	900,301,97x.x1	Screw, Phil Pan Swage Form #8 - 32 x 1/4"
A6	900,300,47x.x1	Screw, Vend Motor, #4-24 x 3/4" Single Switch
A7	900,301,82x.x1	Screw, Vend Motor, #4-24 x 1 1/16" Double Switch
A8	900,301,61x.x1	Screw, Vend Motor, #4-24 x 1 1/2" Triple Switch
A9	900,301,56x.x1	Screw, Phil Pan Cutting #8 - 32 x 3/8"
A10	900,201,31x.x1	Screw, Machine, #6 - 32 x 1 1/4"
A11	900,301,97x.x1	Screw, Phil Pan Sems #8 - 32 x 1/4"
A12	900,301,85x.x1	Screw, Phil Thread Form #8 - 32 x 5/8"
A13	900,300,16x.x1	Screw, Phil Head Truss #6 x 3/8"
A14	900,301,81x.x1	Screw, Phil Pan Form #10 - 32 x 1 1/4"
A15	900,201,14x.x1	Screw, Machine Truss, #10 - 32 x 1/2"
A16	900,301,65x.x1	Screw, Phil Pan Sems with washer, #8 - 18 x 1/2"
A17	900,302,01x.x1	Screw, Self Tapping, 1/4 - 20 x 5/8"
A18	900,301,69x.x1	Screw, Hex Head Swage Form #8 - 36 x 3/8"
A19	900,901,51x.x1	Screw, Phil Pan Tapping #10 - 32 x 5/8"
A20	900,201,22x.x1	Screw, Machine Phil Pan #8 - 32 x 3/4"
A21	900,301,98x.x1	Screw, Phil Pan Shoulder #8 - 18 x 1/2"
A22	900,301,84x.x1	Screw, Phil Pan #8-18x1/2"
A23	900,500,26x.x1	Shoulder Screw 1/2" Long
A24	900,201,13x.x1	Screw, Hex Head
A25	900,301,73x.x1	Screw, Tap 1/4-20x1" Type F
A26	800,303,15x.x1	Screw, Phil Pan #8-18x3/4"
A27	800,303,18x.x1	Screw, Truss Type 23 #8-32x1/2
A28	900,301,94x.x1	Screw, Phil Flat 23B #10-32x1/2"
A29	900,201,44x.x1	Screw, Machine Brass #6-32x1/4"
A30	900,301,99x.x1	Screw, Plastic 8-hi/low x 1 1/4
A31	900,301,55x.x1	Screw, Phil Pan Swage Form #8-32x1/2"
A32	900,303,08x.x1	Screw, Hex Washer Type 1 #8-32x3/8"
A34	800,303,22x.x1	Screw, Phil Pan #6-20x3/8
A35	900,302,02x.x1	Screw, Self Tapping, #8-18x3/4
A36	900,201,86x.x1	Screw, Phil Pan Head #6-32x1/4"
B1	900,800,65x.x1	Keps Nut, #10 - 32
B2	900,800,67x.x1	Keps Nut, 1/4 - 20
B3	900,800,50x.x1	Keps Nut, #8 - 32
B4	900,800,69x.x1	Keps Nut, Top Door Hinge, 3/8 - 16
B5	900,800,85x.x1	Speed Nut
B6	900,800,49x.x1	Keps Nut, #6 - 32
B7	900,800,51x.x1	Elastic Stop Nut, #8 - 32
B8	900,800,81x.x1	Hex Nut 8-32
B9	900,902,37x.x1	Push Nut, Acorn Type
B10	900,801,02x.x1	Hex Nut 5/16-18
B11	900,800,81x.x1	Hex Nut, Flange with Serrations 8-32



WASHERS, BOLTS, & MISC. HARDWARE

ITEM	PART NUMBER	PART NAME AND DESCRIPTION
C1	900,700,60x.x1	Washer, Delrin .047 Thick 3/8"IDx5/8"OD
C2	901,303,77x.x1	Washer, Door Hinge
C3	901,503,06x.x1	Washer, Flat #2949 (T-Handle)
C4	901,503,08x.x1	Washer, Hex #29-34 (T-Handle)
C5	900,700,36x.x1	Lockwasher, Split 3/8"
C6	900,700,89x.x1	Lockwasher, Shakeproof 5/8" (1132-00-00-0551)
C7	900,700,02x.x1	Steel Washer, 18 Gauge (1/2"x3/16")
C8	900,700,62x.x1	Washer, Shakeproof (4610-16-01-0551)
C10	900,700,83x.x1	Washer, Flat 18 Gauge (17/64"IDx5/8"OD)
C11	900,700,08x.x1	Washer, Flat 14 Gauge (5/16"-3/8"x7/8")
C12	801,902,48x.x1	Nylon Spacer
	900,701,05x.x1	Washer Flat (.343"ID x .688" OD .6T)
D1	900,400,43x.x1	T-Bolt, #8 - 32 x 1" (obsolete)
D2	900,400,41x.x1	T-Bolt, #8 - 32 x 1 3/8"
D3	900,40x.x5x.x1	T-Bolt, #8 - 32 x 3/4"
D4	900,400,45x.x1	T-Bolt, #8 - 32 x 1/2"
E1	900,400,44x.x1	Refrigeration Bolt, 3/8 - 16 x 1"
E2	900,201,17x.x1	Carriage Bolt, 1/4 - 20 x 1"
E3	900,201,23x.x1	Carriage Bolt, 1/4 - 20 x 1 1/4"
E4	900,201,45x.x1	Carriage Bolt, 1/4 - 20 x 1/2"
E5	900,201,54x.x1	Carriage Bolt, 1/4 - 20 x 3/8"
E6	900,201,56x.x1	Carriage Bolt, 1/4 - 20 x 3/4"
E7	900,303,12x.x1	Carriage Bolt, 1/4-20x5/8" (obsolete)
E8	900,201,85x.x1	Carriage Bolt, 5/16x18x1 1/4" Top Hinge (drop in)
E9	800,303,19x.x1	Carriage Bolt, 1/4-20x5/8"
E10	900,202,04x.x1	Carriage Bolt, 1/4-20x1/2" (red)
F1	901,100,43x.x1	Pop Rivet, Aluminum 1/4"
F2	901,100,44x.x1	Drive Rivet, #38-108-06-13 1/4" dia.
F4	901,100,54x.x1	Pop Rivet, Black 1/8"
F5	901,100,61x.x1	Pop Rivet, Steel (Zinc Plated) 1/8"
F6	901,100,53x.x1	Pop Rivet, Aluminum 1/8"
F7	901,100,60x.x1	Pop Rivet, Steel (Zinc Plated) 3/16"
H1	900,902,13x.x1	Christmas Tree Clip #354280307-00
H2	900,901,89x.x1	Tinnerman Clip, Fan Shroud (C5207-014-3B)
H3	900,401,09x.x1	Grommet, Bk. Rubber #97
H4	901,503,07x.x1	E-Ring #31-30
H5	900,900,90x.x1	Retainer, Roller Pin
H6	900,902,18x.x1	Tinnerman Clip
H7	801,807,01x.x1	Hole Plug, Snap in - 1 1/4
H8	901,806,77x.x1	Grommet, Admiral #B53351
H9	902,100,29x.x1	Silencer
I1	804,601,45x.x1	#6 Terminal Ring Crimp 16-14 AWG
I2	801,902,48x.x1	Nylon Spacer used on Coke D/O Boards
I3	801,809,12x.x1	Velcro Blocks
I4	801,807,49x.x1	Vender Defender Clamp
I5	901,901,89x.x1	Clamp, Cable 1" Heyco 3390

ITEM	PART NUMBER	PART NAME AND DESCRIPTION
I6	900,901,79x.x1	Clamp, Nylon 5/16" Black Heyco 3355 or Dennison 10159
I7	900,901,80x.x1	Clamp, Nylon 1/2" Heyco 3328
I8	901,901,06x.x1	Hand Tie, x.x"
I9	901,902,01x.x1	Wire Tie, 7 1/2"
I10	901,901,00x.x1	Wire Ties, 4"
I11	901,900,55x.x1	Clamp, Nylon 3/4" Heyco 3382BL
I12	901,902,83x.x1	Cable Tie, x.x"
I13	900,902,14x.x1	Canoe Clip #254-090-301-00-0108